



FIAT DUCATO, PEUGEOT BOXER, CITROËN JUMPER AL-KO CHASSIS TECHNOLOGY



AL-KO CHASSIS



INCREASED PAYLOAD

The AL-KO lightweight chassis with a permissible GVW of up to 4,500 kg (2 -axle) or 5,000 kg (3-axle) allows payloads of up to 3000 kg¹⁾.



GREATER CUSTOMISATION

Customised solutions are available to suit a wide range of transport requirements, with variable wheelbases and overhangs, alongside a wide variety of axle and chassis gauges. These all combine to ensure optimal weight distribution throughout the range.



SLEEK, LOW LINE FRAME

The innovative low-frame chassis design enables a frame height reduction of up to 220 mm compared to the original chassis. This results in a lower loading height and a correspondingly reduced overall vehicle height. The lower centre of gravity can also significantly improve the road holding, cornering and crosswind sensitivity.



WIDE TRACK CHASSIS

The chassis conversion can be up to 310 mm wider than the original chassis, resulting in significantly improved body control, excellent driving dynamics, maximum safety and better driving comfort.



TRAILING ARM AXLE

The ideally suited AL-KO trailing arm axle with independent suspension and torsion bar suspension ensures car-like ride comfort. Even greater levels of drive comfort can be achieved with the new AL-KO Comfort Suspension (ACS), the AL-KO Level Controller (ALC) and AL-KO Air Suspension. These optional systems offer increased suspension, and automatic leveling/lifting options.



NOTE:
Warranty work is to be carried out by the base vehicle manufacturers' dealer network.



ESP/ESC²⁾

ESP / ESC (Electronic Stability Program) is an optional safety feature now available for Fiat Ducato, Peugeot Boxer and Citroën Jumper³⁾ vehicles, with a 2 or 3 axle AL-KO Chassis. The ESP / ESC features include LAC (adaptive load control), ROM (rollover prevention), Traction + (electronic traction control), HH (hill start assistance) and HDC (hill descent assistance).



LONG SERVICE LIFE

Hot dip galvanized parts guarantee optimal protection against corrosion.



EASY TO SERVICE

Bolted frame parts are easy to service, ensuring shorter periods of downtime for repairs.



¹⁾ Dependent on engine size, structural dimensions and special equipment.

²⁾ ESP / ESC system functions relate to Fiat Ducato (Functions may differ for Peugeot / Citroën). For an overview regarding possible CHASSIS types, chassis and wheelbase variants see page 6.

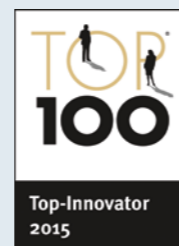
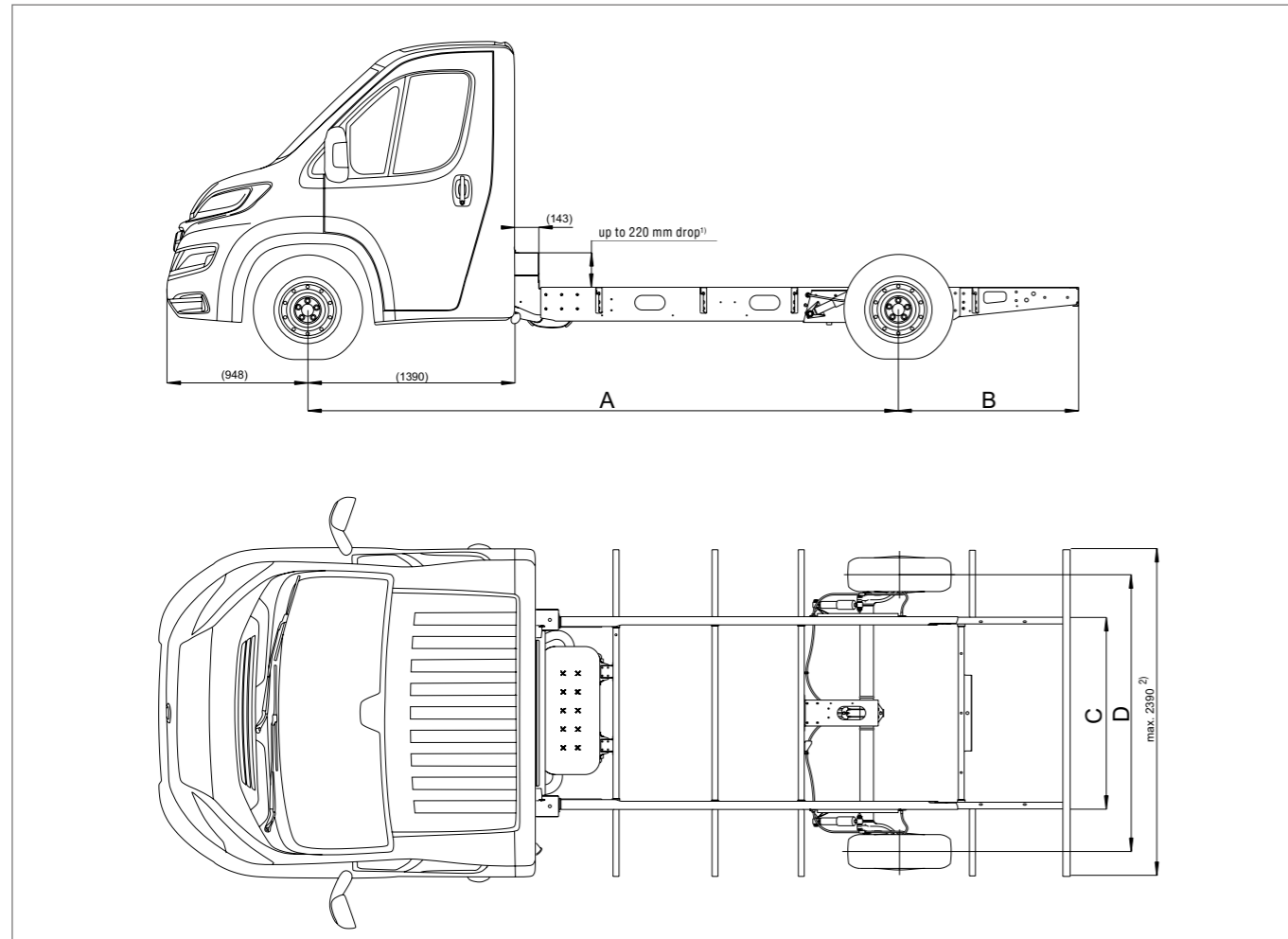


Figure shows special equipment!

TECHNICAL DATA

AL-KO 2-AXLE SUPER LOW FRAME



STANDARD DIMENSIONS⁶⁾

Wheelbase A (mm)	min. 3000 ²⁾ , 3166 ²⁾ , 3320 ²⁾ , 3450, 3643, 3800, 3896, 4035, 4143, 4343, max. 4700
Overhang B⁴⁾ (mm)	824, 924, 1024, 1147, 1247, 1344, 1447, 1547, 1647, 1747, 1847, 1947, max. 2500
Frame Width C (mm)	1152, 1295, 1535
Gauge D (mm)	1717, 1860, 2100 ³⁾

Spare wheel holder (optional) mounted starting from overhang (B) 1147 mm possible; Length sizes refer to gauge 1860 mm.

Technical modifications reserved.

FRAME HEIGHT

(Approx values)

Tyre Size	Frame Height (mm)	
	Empty	Loaded
215/70 R 15C	520	420
225/70 R 15C		
225/75 R 16C	540	440

¹⁾ Other low frames available upon request

²⁾ Wheelbases 3000 mm, 3166 mm and 3320 mm only for type light

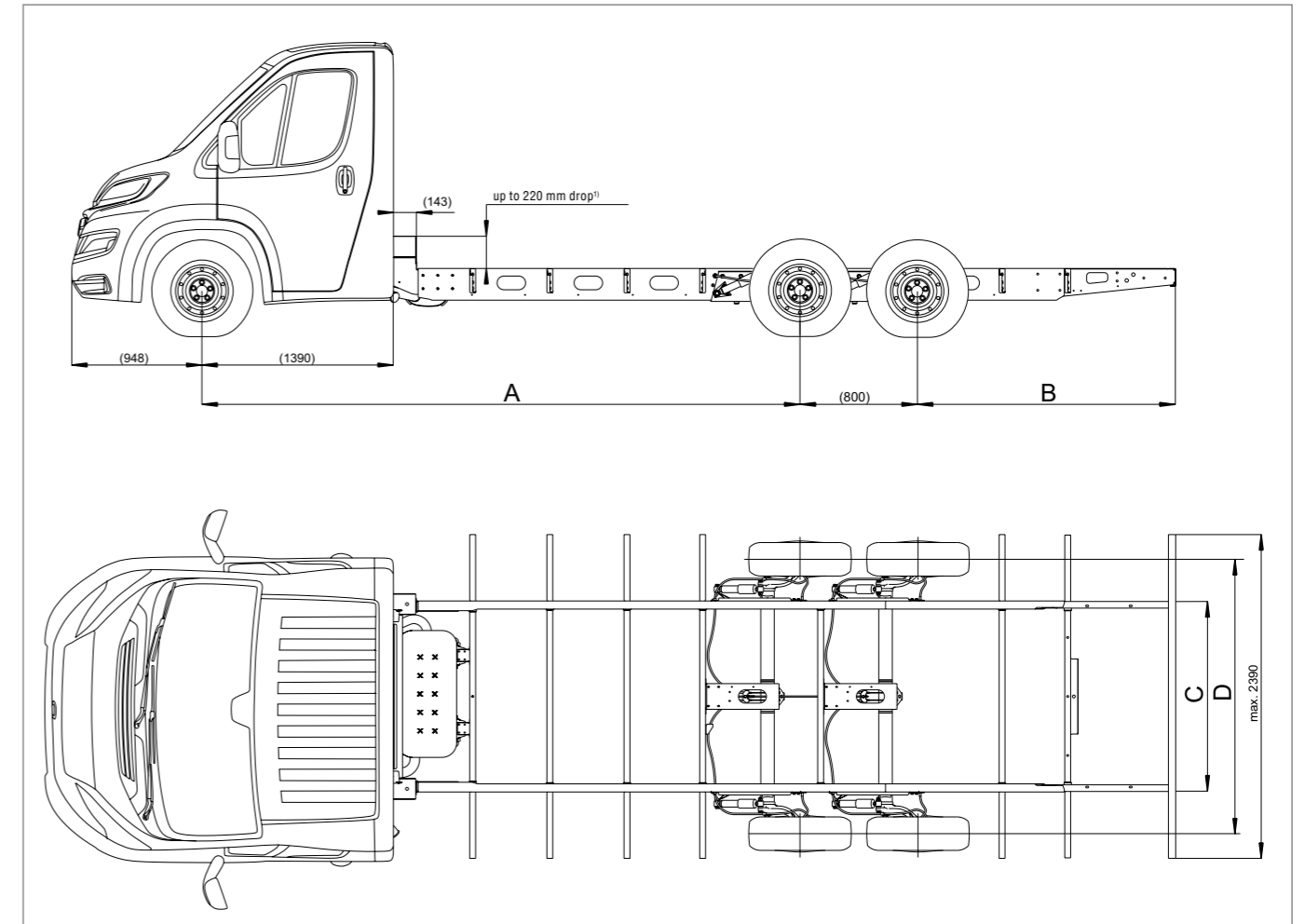
³⁾ For gauge 2100 mm, the frame rails are cranked
Gauge 2100 mm only starting from wheelbase 3643 mm

⁴⁾ Suitable outside mirrors should be used depending on the body width

⁵⁾ Overhang max. 60% of wheelbase A, max. 2500 mm

⁶⁾ Deviating dimensions upon request

AL-KO 3-AXLE SUPER LOW FRAME



STANDARD DIMENSIONS⁵⁾

Wheelbase A (mm)	min. 3450, 3643, 3800, 3896, 4035, 4143, 4343, 4470, max. 4700
Overhang B⁴⁾ (mm)	824, 924, 1024, 1147, 1247, 1344, 1447, 1547, 1647, 1747, 1847, 1947, max. 2500
Chassis width C (mm)	1152, 1295, 1535
Gauge D (mm)	1717, 1860, 2100 ²⁾

NOTE: 3-axle low frame only approved for integral installations!

Other installations after consultation.

Spare wheel holder (optional) mounted starting from overhang (B) 1147 mm possible; Length sizes refer to gauge 1860 mm.

Technical modifications reserved.

FRAME HEIGHT

(Approx values)

Tyre Size	Frame Height (mm)	
	Empty	Loaded
225/75 R16 C	560	470

¹⁾ Other low frames available upon request

²⁾ For gauge 2100 mm, the frame rails are cranked
Gauge 2100 mm only starting from wheelbase 3643 mm

³⁾ Suitable outside mirrors should be used depending on the body width

⁴⁾ Overhang max. 60% of wheelbase A, max. 2500 mm

⁵⁾ Deviating dimensions upon request

OVERVIEW

FIAT / PEUGEOT / CITROËN (X290)

Permitted weights, axle loads, trailer loads and ESP availability

AL-KO Type	Base Vehicle Fiat Citroën Peugeot	Vehicle Class	Perm. total weight kg	Perm. Front axle load kg	Perm. Rear-axle load kg	Perm. towing capacity kg	Perm. Total train weight kg	ESP	Perm. AMC chassis variants options for ESP	Permissible wheelbase area options for ESP
AMC 35L	35L / 335	M1/N1	3500	1850	2000	2000	5500	0	DF / ACS / ALC / APX2 / APX4	3000 - 4700 mm
AMC 37L	35L / 335	M1/N2	3700	1850	2000	2000	5500	0	DF / ACS / ALC / APX2 / APX4	3000 - 4700 mm
AMC 38L	35L / 335	M1/N2	3850	1850	2000	2000	5500	0	DF / ACS / ALC / APX2 / APX4	3000 - 4700 mm
AMC 35HA	40H / 440	M1/N1	3500	2100	2500	2000	5500	0	DF / ACS / ALC / APX2 / APX4	3450 - 4700 mm
AMC 40H	40H / 440	M1/N2	4000	2100	2500	2000	6000	0	DF / ACS / ALC / APX2 / APX4	3450 - 4700 mm
AMC 42H	40H / 440	M1/N2	4250	2100	2500	2000	6000	0	DF / ACS / ALC / APX2 / APX4	3450 - 4700 mm
AMC 45H	40H / 440	M1/N2	4500	2100	2500	2000	6000	0	DF / ACS / ALC / APX2 / APX4	3450 - 4700 mm
AMC 35HV	40H / 440	M1/N1	3500	2100	1200/1200	2000	5500	0	DF / ACS / APX2 / APX4	3450 - 4700 mm
AMC 45HS	40H / 440	M1/N2	4500	2100	1600/1600	2000	6000	0	DF / ACS / APX2 / APX4	3450 - 4700 mm
AMC 50HS	40H / 440	M1/N2	5000	2100	1600/1600	2000	6000	0	DF / ACS / APX2 / APX4	3450 - 4700 mm

INSTRUCTIONS

Speed Restriction

- In accordance with Directive 92/6 / EEC, as amended 2002/85 / EC, all vehicles of categories M2, M3, N2, N3 since 01/01/2005 must be fit with a speed limitation device
- This applies to all commercial vehicles with a permissible total mass exceeding 3500 kg, including those on an AL-KO CHASSIS

Permissible Body Type

- 3-axle low frame only approved for the integrated bodies. Other constructions can be offered depending on consultation.

Please note the following for base vehicle specification:

Mandatory:

- Converters wiring (Electrical interface in B-Post) e.g. Fiat Part No. 081

Optional:

- Digital Tachometer (For class N2, MGW > 3500 kg) e.g. Fiat Part No. 650 (Standard equipment for Maxi 40)
- Mirror option for vehicle conversions with body width: 2.2m e.g. Fiat Part No. 036 (Not available via AL-KO - contact dealer for retrofitment)
- Mirror option for vehicle conversions with body width: 2.35m e.g. Fiat Part No. 042 (Not available via AL-KO - contact dealer for retrofitment)
- Rear light wiring for converter use (Not available via AL-KO) e.g. Fiat Part No. 391
- Rear light clusters for converter use (Not available via AL-KO) e.g. Fiat Part No. 4EA

If you should require any further information, please don't hesitate to contact us.

AL-KO CHASSIS

ACCESSORIES / OPTIONAL EQUIPMENT

CLICK FIX STEADY LEGS



- Robust construction for firm and secure footing
- Fast and convenient operation: just a half-turn of the crank and the prop stand is in the vertical support position
- Integrated free-swivelling mechanism
- High-quality surface protection
- Dynamic load capacity 500 kg, static 1000 kg

TOWBARS



- AL-KO towing hitches are customised exactly to the AL-KO CHASSIS and offer the highest degree of safety
- Towing hitches are only for AL-KO CHASSIS and/or AL-KO frame extensions
- Low assembly effort
- High-quality surface protection
- Extended electrical kit, 13-pin, in conjunction with towing hitch (art. no. 1629090)

PREMIUM AIR SUSPENSION



- Optimal suspension comfort
- Fully automatic level control
- Versatile lifting/lowering functions
- Comes standard with soft touch remote control
- Maintenance-free
- Either for AL-KO rear axles (Air Premium X2) or front and rear axles (Air Premium X4)
- Auto level function (Air Premium X4)



SPARE WHEEL CARRIER



- Secure spare wheel attachment to the chassis rear. Problem-free retrofitting for most AL-KO CHASSIS with a straight rear structure
- Low assembly effort – easy assembly with standard on-board tool kits

ACS – AL-KO COMFORT SUSPENSION



- Impressive suspension comfort
- Superb driving stability and enhanced driving safety
- Reduced noise levels inside the vehicle
- Raising of the front axle standing height
- Robust and durable
- Maintenance-free
- For 2 and 3 axles
- Replaces the original front axle strut
- Available as original equipment or for retrofitting



AL-KO
QUALITY FOR LIFE

ALOIS KOBER GMBH

Ichenhäuser Straße 14
89359 Kötz
Germany
Fon +49 8221 97-0
fahrzeugtechnik@al-ko.de
www.al-ko.com

AL-KO Technology Austria GmbH

Talstraße 150
6284 Ramsau im Zillertal
Austria
Fon +43 5282 3360 700
vertrieb.fzt@al-ko.at
www.al-ko.com

The AL-KO TEAM would be happy to assist you:

Italy

Gerd Stoll | Leiter AL-KO CHASSIS und Marketing
Fon: +39 0472 868-725 | Fax: +39 0472 868-785
E-Mail: gerd.stoll@al-ko.it

France

Pierre Ravet | Chef de Marché Véhicules de Loisirs et VUL
Fon: +33 385 7635-38 | Fax: +33 385 7635-81
E-Mail: pierre.ravet@al-ko.fr

Spain

Benjamin Alonso | Head of Sales
Fon: +34 976 462280 | Fax: +34 976 785241
E-Mail: benjamin.alonso@al-ko.es

Benelux

Frank Byl | Key Account Manager
Fon: +32 354 361-12 | Fax: +32 354 361-19
E-Mail: frank.byl@al-ko.com

Great Britain

Steven Hendley | Technical Sales Executive – Commercial Vehicles
Fon: +44 1926 8185-41 | Fax: +44 1926 8185-62
E-Mail: steven.hendley@al-ko.co.uk

Rest of World

Reiner Fink | Vice President – Commercial Vehicles
Fon: +49 8221 97 8716
reiner.fink@al-ko.de