



20
24

PRICE LIST

PREMIUM ACCESSORIES FOR LEISURE VEHICLES



TABLE OF CONTENTS

Towbars / Electric cable sets.....	04
Chassis extensions / reinforcement kits.....	05
Carrier systems campers.....	06 - 07
Van carrier systems.....	08 - 09
Rear garage systems.....	10
Bikey tarpaulin box / Transport platform / Motorcycle rack model 3000.....	11
Holder arms and bicycle rails / Secure and fasten.....	12
Replacement light brackets / Spare wheel bracket.....	13
Chassis components.....	14 - 15
Support systems.....	16 - 17
Caravan accessories.....	18 - 19
Trailer.....	20 - 21
Electronics.....	22

TOWBARS

Article description	Item no.	Price in €
Towbar for Fiat Ducato X250/X290 vans	1620104	427.50
Removable towbar for Fiat Ducato X250/X290 vans	1620134	546
Towbar for AL-KO chassis or vehicles with a certified frame extension without reinforcing parts	Var.	from 694
Towbar for series chassis with certified frame extension incl. necessary reinforcing parts	Var.	from 897
Standard towbar for series chassis with overhangs for which no or a non-load-bearing frame extension is mounted	Var.	from 1049
Heavy load towbar for series chassis with tested frame extension that need to tow loads of over 2000 kg	Var.	1009
Heavy load towbar for series chassis with overhangs for which no or a non-load-bearing frame extension is mounted and a towable load of more than 2000 kg is required	Var.	1184
Towbar with removable and lockable ball head. Suitable for original AL-KO high or low frame chassis with rear lowering	Var.	from 1010
Towbar suitable for original AL-KO high or low frame chassis with rear lowering	Var.	from 775

Electric cable sets 13-pin				
Fiat / Peugeot / Citroen	Year of manufacture / Model	Suitable for	Item no.	Price in €
Fiat Ducato 230	230	Original chassis	1629092	100
Fiat Ducato 244	244	Original chassis	1629007	142
Fiat Ducato 244	244	Panel van / Van	1629091	142
Fiat Ducato	2006 - 2021	Original chassis and van CAN BUS Series 7	1628321	219
Citroen Jumper Peugeot Boxer Opel Movano	2006 - 2024			
Fiat Ducato	from 2021	Original chassis and panel van / van CAN BUS Series 8	1628421	236
Citroen Jumper Peugeot Boxer Opel Movano	from 2024			
Ford				
Transit	2006 - 2014 / MK7		1629663	219
	V363 (EURO 4 & 5)		1629515	
	V363 (EURO 6)		1885009	
Renault				
Master	19?? - 2005		1629007	142
	2005-2010	AL-KO chassis	201653	82
	from 06/2010		1629560	142
	from 06/2010	Panel van / Van	1885005	179.50
Mercedes				
Sprinter	2006 - 2018 / NCV3 + Crafter LT3		1629088	219
			1629734	
	from 06/2018 / VS30	without electrical kit preparation	1628372	
IVECO				
Chassis	2006 - 2008		1629007	142
	2008 - 2012		1885010	239
	2012 - 2014		1885011	95
	from 06/2014 / Daily		1888993	110
Spare parts				
Replacement socket 13 pin		all 13-pin e-kits	1885724	23.50

You can find more information about our electrical kits here



Reinforcement kits - AL-KO chassis from 2013*	Item no.	Price in €	Overview of ball heads	Item no.	Price in €	Accessories	Item no.	Price in €
Dethleffs	Var.	from 108	Type 1	1884632	124	Breakaway cable clip for towbar MT026, MT005	1623168	19
LMC	Var.	from 199	Type 2	1884633	142	Breakaway cable clip for towbar MT052	1881146	16.50
Hymmer	Var.	from 133.50	Type 3	1884634	210	Socket holders for towbar MT052	1881218	15.50
Carthago	Var.	from 133.50	Type 4	1884635	159.50	Universal socket holder	1880009	12.50
*Required for towbar + load carrier - retrofitting			Type 5	1884636	164.50			

CHASSIS EXTENSIONS

Vehicle	Year of manufacture	Item no.	Price in €
Fiat Ducato 280 - 290	1986 - 1994	Var.	378
Fiat Ducato 230/244	1994 - 2006	Var.	469
Fiat Ducato 250/290	from 2006	Var.	469
Mercedes Sprinter with single tyres and identically designed VWs	from 2006	Var.	378
Mercedes Sprinter with double tyres and identically designed VWs	from 2006	Var.	469
Renault Master II	1997 - 2010	Var.	378
Renault Master III flat floor	from 2010	Var.	469
Renault Master III ladder frame/platform	from 2010	Var.	378
Ford Transit front and rear wheel drive	2000 - 2006	Var.	378
Ford Transit skeletal	2006 - 2014	Var.	469
Ford Transit V363	from 2014	Var.	469
Other extensions and reinforcements		Var.	from 246

REINFORCEMENT KITS/CHASSIS BRACKETS

Reinforcement kits with existing chassis extension	Item no.	Price in €
For RA026 Fiat Ducato X250/X290	Var.	223.50
For RA030 Fiat Ducato X250/X290	Var.	348.50
For RA056 Fiat Ducato X250/X290	Var.	348.50
For RA019 Fiat Ducato X250	Var.	505.50
For RA017 Fiat Ducato X244	Var.	348.50
For RA022 Ford	Var.	348.50

Chassis brackets	Item no.	Price in €
20R51	1884045	264.50
20A24 incl. adapter plate	1884011	332
20R46	1884043	264.50
20R21	1884030	264.50
20E44 for vans with towbar	1884015	264.50
20E45 for vans without towbar	1884016	332
Others on request.		

Accessories	Item no.	Price in €
Connection and grid plate	1620459	82.50
Connection and grid plate	1620069	82.50
Connection and grid plate	1623346	70
2 cotter pins and clamping screws	1629345	32

VELO III

Article description	Item no.	Price in €*
VELO III 2 bicycles or 2 e-bikes	1884639	1208
VELO III 3 bicycles	1884640	1298
VELO III conversion kit 2 to 3 bicycles	1885778	264

BASIC

Article description	Item no.	Price €*
Complete system 1 scooter	1629914	881
Complete system 1 scooter + 1 bicycle (Incl. extension, article no. 1628049)	1629915	945
Complete system 2 bicycles	1629916	834
Complete system 3 bicycles (Incl. extension, article no. 1628049)	1629917	897
Complete system 4 bicycles (Incl. extension, article no. 1628049)	1629918	956
Universal lashing band set	1628014	153
Carrier extension Loading depth extension from 510 to max. 820 mm	1628049	88

MIKRO II

Article description	Item no.	Price €*
Complete system 1 scooter	1629922	1135
Complete system 1 scooter + 1 bicycle (Incl. extension, article no. 1628049)	1629923	1199
Complete system 2 bicycles	1629924	1086
Complete system 3 bicycles (Incl. extension, article no. 1628049)	1629925	1151
Complete system 4 bicycles (Incl. extension, article no. 1628049)	1629926	1214
Universal lashing band set	1628014	153
Carrier extension Loading depth extension from 510 to max. 820 mm	1628049	88

LIGERO III

Article description	Item no.	Price €*
Complete system 1 scooter	1629928	1394
Complete system 1 scooter + 1 bicycle	1629929	1480
Complete system 1 scooter + 2 bicycles	1629930	1566
Complete system 2 bicycles	1629931	1394
Complete system 3 bicycles	1629932	1480
Complete system 4 bicycles	1629933	1566
Universal lashing band set	1628014	153

If frame extensions – or reinforcements – are required, see page 02/03.
Without electric cable set, incl. standard chassis brackets for frame connection.

VARIO

Article description	Item no.	Price in €*
Complete system for 1 scooter	1629905	1642
Complete system 1 scooter + 1 bicycle	1629906	1731
Complete system for 1 scooter + 2 bicycles	1629855	1817
Complete system for 2 bicycles	1629907	1642
Complete system for 3 bicycles	1629908	1731
Complete system for 4 bicycles	1629909	1817
Universal lashing band set	1628014	153

VARIO LIGHT

Article description	Item no.	Price in €*
Complete system for 1 scooter	1882236	1582
Complete system 1 scooter + 1 bicycle	1882237	1672
Complete system for 1 scooter + 2 bicycles	1882238	1759
Complete system for 2 bicycles	1882239	1582
Complete system for 3 bicycles	1882240	1672
Complete system for 4 bicycles	1882241	1759
Universal lashing band set	1628014	153

LIGERO III LIGHT

Article description	Item no.	Price €*
Complete system 1 scooter	1628573	1330
Complete system 1 scooter + 1 bicycle	1628574	1420
Complete system 1 scooter + 2 bicycles	1628575	1505
Complete system 2 bicycles	1628576	1330
Complete system 3 bicycles	1628577	1420
Complete system 4 bicycles	1628578	1505
Universal lashing band set	1628014	153

If frame extensions – or reinforcements – are required, see page 02/03.
Without electric cable set, incl. standard chassis brackets for frame connection.

AGITO TOP

Article description	Item no.	Price in €*
Complete system for 2 e-bikes, folding (max. 80 kg)	1884652	2054
Complete system for 3 bicycles, folding (max. 80 kg)	1884653	2119

AGITO 120

Article description	Item no.	Price in €*
Base carrier without conversion kit	1884113	2136
Complete system for 1 motorcycle/scooter	1884646	2244
Complete system for 2 bicycles	1884647	2244
Complete system for 4 bicycles	1884648	2366
Universal lashing band set	1628014	153

AGITO 150

Article description	Item no.	Price in €*
Base carrier without conversion kit	1884649	2065
Complete system for 1 motorcycle/scooter	1884650	2307
Complete system for 1 scooter + 1 bicycle	1884651	2366
Universal lashing band set	1628014	153

KAWA II

Article description	Item no.	Price €*
Platform carrier (without front retaining bracket)	1884641	1582
Platform carrier for 1 scooter – incl. integrated ramp, wheel chocks, tensioning straps, eyelets (without front retaining bracket)	1884642	1774
Platform carrier for 2 bicycles – incl. front retaining bracket, wheel chocks, holding arms	1884643	1979
Platform carrier for 3 bicycles – incl. front retaining bracket, wheel chocks, holding arms	1884644	2054
Platform carrier conversion kit front retaining bracket for retrofitting for 1884641 and 1884642	1629604	251
Platform carrier conversion kit for 3 bicycles	1629837	731
Platform carrier conversion kit for 2 bicycles	1629793	472.50
Surcharge for ramp reinforcement from 150 to 200 kg payload	1629795	63.50

KAWA LIGHT

Article description	Item no.	Price €*
Complete system for 1 scooter with beam, incl. lashing straps	1887813	1172
Complete system 2 bicycles	1887814	1182
Complete system 3 bicycles	1887815	1243

*Excluding electrical cable set

TRIGO-VAN

Conversion kits	Standard lights	Price €	LED lights	Price €
Complete system for 2 bicycles/e-bikes, without assembly	1888008	1890	1888570	1999
Complete system for 3 bicycles/e-bikes, without assembly	1888009	1999	1888571	2099
Complete system for 1 bicycle + 1 fat bike, without assembly	1888565	1890	1888572	1999
Complete system 2 fat bikes, without assembly	1888566	1999	1888573	2099
Accessories			Part no.	Price €
Conversion kit for sliding bicycle rail (necessary for unrestricted towbar use)			1888010	85
Set of limit lights (necessary for vehicles with excess length)			1888011	108
Ramp for bicycle rail 1250 mm long			1887879	35
Please order electric cable set separately. Tyre widths for standard bike rail 20–80 mm, for fat bike rail 80–130 mm.				

AGITO VAN

Vehicle-specific connection – cross member + clamping cage	Item no.	Price €*
Fiat Ducato/Peugeot/Citroen from production date 2006	1882697	328
Ford Transit/Tourneo Custom	1882696	328
Clamping cage with existing towbar	Item no.	Price €*
Towbar Boss / Galia	1628504	70
Towbar MT054 Ford	1623310	70
Base carrier	Item no.	Price €*
Swing arm + transport platform	1628800	1502
Conversion kits	Item no.	Price €*
2 bicycles – cannot be mounted together with 1628235	1623312	309
Box Ultra 360 – cannot be mounted together with 1623312	1628235	697
Towbar Fiat Ducato/Peugeot/Citroen from production date 2006 for retrofitting to existing AGITO Van	Item no.	Price €*
Removable version	1882595	236
Towbar Ford Transit/Tourneo Custom for retrofitting to existing AGITO van	Item no.	Price €*
Removable version	1629982	312
Electrical cable sets	Item no.	Price €*
Ford Custom – Electrical cable set, 13-pin	1885009	219
Fiat/Peugeot/Citroen – Electrical cable set, 13-pin Production date 2006 – today	1628321	219
*plus assembly costs. Not suitable for off-road operation and all-wheel drive vehicles!		

ELECTRIC GARAGE PULL-IN FOR MOTORBIKES

Designation	Item no.	Price in €		
For scooter	1886864	1764		
Remote control incl. receiver	1628286	46		
For rear wheel width...	up to 180 mm 1629715	up to 250 mm 1886863	over 250 mm 1886868	1764

MOTORBIKE LOADING AID – COMPONENTS

Rails	Item no.	Price in €
1 Rail 500 mm	1881462	86
2 Rail 1100 mm	1881515	133.50
3 Rail 1990 mm	1886097	180.50
4 Rail 2190 mm	1886857	227.50
12 Rail 2200 mm (split) for parcel shipping	1888099	246.50
5 Rail 2500 mm	1885904	240
15 Rail 2500 mm (split) for parcel shipping	1888100	257.50
6 Cover plate 600x165 mm	1881283	28
7 Rear tyre elevation for tyres 180 - 380 mm	1629902	59.50

Ramps	Item no.	Price in €
8 Curved ramp	1885897	240
9 Ramp 850 mm	1886904	175.50
10 Ramp 1100 mm	1885900	191.50
11 Ramp 1600 mm	1881514	211
12 Transport support for ramp	1885901	99
13 Ramp support	1886101	179.50

Front tyre sled	Item no.	Price in €
14 Sled tyre width max. 180 mm	1885898	285
15 Sleds for scooter	1886855	285

Rear tyre wheel holder	Item no.	Price in €
16 Rear wheel support up to max. 180 mm	1885902	189
17 Rear wheel support up to max. 250 mm	1886848	225.50
18 Rear wheel support scooter	1886856	189

Cable winches and accessories	Item no.	Price in €
19 Cable winch 6 metre strap incl. holder	1885896	158
20 Cable winch 10 metre nylon rope incl. holder and 90° angle	1886775	202
21 Cable winch 10 metre nylon rope incl. ground holder	1885906	170
22 12 V e-cable winch incl. holder and wired remote control	1885905	506
23 Remote control incl. receiver	1628286	46
24 Central deflection pulley	1885895	66.50
25 Outer deflection pulley	1885907	59.50
26 90° angle adapter incl. accessories	1623429	13
27 Conversion kit scooter/motorcycle or motorcycle/scooter	1886616	118
28 Pipe coupling set	1888078	23.50

TRINEO

TRINEO versions – for 1 scooter	Item no.	Price €
Electric right-hand fitting	1629590	1658
Electric left-hand fitting	1628045	1658
Manual right-hand fitting	1628046	1162
Manual left-hand fitting	1628054	1162
Manual right-hand fitting, 1900 mm long	1884147	1128

BIKEY TARPAULIN BOX

Article description	Item no.	Price in €
BIKEY tarpaulin box without carrier system	1629244	956
Bicycle conversion kit for 2 bicycles	1629904	124
BASIC base carrier for tarpaulin box (if no carrier is available)	1629919	750
Retrofit kit for BASIC, MIKRO II and LIGERO III	1629920	228
Wheel chock, set with straps	1629327	34.50
Holder for warning sign	1629824	46

TRANSPORT PLATFORM

Article description	Item no.	Price in €
Platform size 1 – 1885x540x70 mm – suitable for 3 bicycles	1629854	366
Platform size 2 – 1885x720x70 mm – suitable for 4 bicycles	1629627	506
Platform size 3 – 1885x550x70 mm – suitable for 1 scooter + 1 bicycle	1629807	506
Wheel chock set	1629628	63.50
Wheel chock set	1628270	41
Ring bolts set (4 pcs.)	1629631	21.50

MOTORCYCLE RACK MODEL 3000

Article description	Item no.	Price in €
Motorcycle rack with ramp "Model 3000"	1629650	368
Special lashing strap set for "MODEL 3000"	1629593	153

HOLDING ARMS / BICYCLE RAILS

Article description	Item no.	Price in €
Holding arm universal short – max. length 390 mm	1623433	55
Holding arm universal medium – max. length 550 mm	1623434	61
Holding arm universal long – max. length 710 mm	1623435	66.50
Holding arm universal XL – max. length 830 mm	1623455	76
Bicycle rail – 1750 mm – incl. 2 wheel chocks	1629421	76
Bicycle rail – 1750 mm – incl. 3 straps	1629786	45
Wheel chock set with quick-release fastener	1628270	41
Fastening bracket for bicycle rail. Suitable for AGITO Top and VELO III	1629422	9.90

SECURING AND FASTENING

Article description	Length	Item no.	Price in €
Holding bars for cross beam with Ø 30 mm - from 2018 (stainless steel tube):	400 mm	1629246	41
	600 mm	1629247	46
	800 mm	1629228	56
Holding bar for fastening to round tube with Ø 26.9 mm - up to 2017	400 mm	1882588	40.50
	600 mm	1882589	46
	800 mm	1882590	56
Cross clamp complete		1629229	29
Adapter for aluminium profile rail		1629230	14
Interchangeable adapter		1629655	28.50
Cross clamp bridge		1629330	55
Lockable cross clamp		1629387	41
Locking mechanism		1629358	18.50
Lashing strap set universal		1628014	153
Lashing strap set motorcycle rack model 3000		1629593	153
Spannfix		1629352	89
Wheel chock for standard motorcycle rack – single		1887030	35
Wheel chock for standard motorcycle rack – set		1887034	70
Wheel chock set for motorcycle rack model 3000		1629838	88
Standard motorcycle rack, ramp, mounts		1628029	258
Mounts for ramp standard motorcycle rack		1885951	77.50
Adapter set for additional bicycle rail above light bracket – suitable for LIGERO III, AGITO 120/150		1629659	25.50
VELO III bicycle cover		1884915	176.50
Universal chassis roller, flat version		1629278	178
Universal chassis roller, high version		1629231	196
Garage fastening 400 mm length		1629393	54
Garage fastening 800 mm length		1629245	57
Lashing rail set		Item no.	Price in €
Pressure-adjustable eye		1629286	9.90
End pieces		1629396	6.90
Tension belt		1623413	7.90
Lashing rail		1629394	66.50
Lashing rail set		1629285	157

LIGHT BRACKET AND SPARE PARTS

Light bracket with Roundpoint lights	Silver item no.	Price in €
Complete with lights	1629437	399
Without lights	1629652	251
Left rear light unit	1629653	91
Right rear light unit	1629654	91
Number plate light, unit	1629362	21
Right or left end cap	1629479	17.50
Limit light incl. bracket, short	1629262	98.50
Limit light incl. bracket, long	1629263	110.50

Light bracket 3000	Item no.	Price in €
Complete with lights (short cable for Mikro II / KAWA II)	1886803	378
Complete with lights (long cable for AGITO)	1886804	378
Without lights	1886931	251
Rear light complete left (Eurofab)	1623198	77
Rear light complete right (Eurofab)	1623197	77
Rear light glass, right or left (Eurofab)	1886930	57.50
Number plate light, unit	1629362	21
Right or left end cap	1629479	17.50
Limit light incl. bracket, long	1629263	110.50
Spare parts Rear lights 2006 - 2011 and Galaxy		
Rear light glass, right or left (2006 - 2011)	1629221	57
Rear light complete left (2006 - 2011)	1629281	76
Rear light complete right (2006 - 2011)	1629282	76
Rear light glass, right or left (Galaxy)	1629415	57.50

Light bracket VELO III/AGITO TOP	Item no.	Price in €
VELO III Complete with lights	1629378	303
AGITO Top Complete with lights	1885948	322
Without lights	1629374	168
Rear light, right	1629270	45.50
Rear light, left	1629271	45.50
Light bracket mount left	1629632	8.90
Light bracket mount right	1629633	8.90
Number plate light, unit	1629371	17.50
Limit lights incl. holder, extendible, long	1628020	110.50

SPARE WHEEL BRACKET

Article description	Item no.	Price in €
FIAT Ducato X250 – Cable winch behind and holder in front of the axle	1629216	390.50
FIAT Ducato X250 – Cable winch and holder behind the axle	1629215	390.50
FIAT Ducato X250 – Cable winch and holder in front of the axle	1629435	390.50
FIAT Ducato X250 – Cable winch in front of and holder behind the axle	1629841	390.50
FIAT Ducato X250 – Cable winch (internal) behind and holder in front of the axle	1885818	390.50
FIAT Ducato X250 – Cable winch (internal) and holder behind the axle	1885817	390.50
For AMC chassis – can only be fitted with sufficient ground clearance	1629811	453
Steel rim 15" X250/X290 without tyre	1884997	150
Steel rim 16" X250/X290 without tyre	1884998	150
Spare wheel valve extension 1200 mm	1882706	32

Use only possible with original steel rims! Please request our data sheet!

AIR PLUS

Designation	Suitable for*	Item no.	Price
Air Plus with compressor kit	AL-KO AMC chassis (2- and 3-axle) on Fiat Ducato, Peugeot Boxer and Citroen Jumper (type X250/X290)		On request
Can only be fitted at the South or North customer centres.			
* Not suitable for vehicles with AL-KO Level Controller (ALC). Please state chassis number when enquiring.			

AIR PREMIUM X2 FULL AIR SUSPENSION SYSTEM

Designation	Item no.	Prices
Air Premium X2 single axle – without axle replacement	Var.	On request
Air Premium X2 single axle – with axle replacement	Var.	On request
Air Premium X2 tandem axle – without axle replacement	Var.	On request
Air Premium X2 tandem axle – with axle replacement	Var.	On request
assembly only possible in the South or North customer centres. Please state chassis number when enquiring.		

AIR PREMIUM X4 FULL AIR SUSPENSION

Designation	Item no.	Prices
Air Premium X4 single axle – without axle replacement	Var.	On request
Air Premium X4 single axle – with axle replacement	Var.	On request
Air Premium X4 tandem axle – without axle replacement	Var.	On request
Air Premium X4 tandem axle – with axle replacement	Var.	On request
Changeover X2 to X4. For vehicles with existing 2-circuit system on the AL-KO rear axle	Var.	On request
assembly only possible in the South or North customer centres. Please state chassis number when enquiring.		

ACS COMFORT SUSPENSION

ACS for AL-KO chassis	Year of manufacture	Variant	Recommended front axle load range	With strut bearing		Without strut bearing	
				Item no.	Price*	Item no.	Price*
ACS for motorhomes	from 2006	Light	1600 kg - 1850 kg	1 710 038	1710.50	1 710 620	1245.50
ACS for motorhomes		Heavy	1800 kg - 2100 kg	1 710 039	1710.50	1 710 621	1245.50
ACS for original chassis	Year of manufacture	Variant	Recommended front axle load range	With strut bearing		Without strut bearing	
ACS for motorhomes	from 2006	Low Weight**	1480 kg - 1640 kg	1 710 287	1867.50	1 710 624	1323.50
ACS for motorhomes		Medium Weight***	1640 kg - 1800 kg	1 710 288	1867.50	1 710 625	1323.50
ACS for motorhomes		High Weight***	1800 kg - 2100 kg	1 710 305	1867.50	1 710 626	1323.50
*Price excludes installation. **Can only be fitted in Light vehicles. ***Can be fitted in Light and Heavy vehicles.							
ACS Fiat, Peugeot, Citroen X250	Year of manufacture	Variant	Permissible front axle load	With strut bearing		Without strut bearing	
ACS for vans	from 2006	33 Light	max. 1750 kg	1 710 249	1867.50	1 710 622	1323.50
ACS for vans		35 Light	max. 1850 kg	1 710 250	1867.50	1 710 623	1323.50
*Price does not include installation.							

FULL AIR SUSPENSION 4C SYSTEM

FullAir AL-KO Chassis	Year of manufacture	Version	Item no.	Price in €*
Fiat Ducato X250/X290 (Single axle) 35 Light - 40 Heavy	from 2006	Comfort-Camp 4C Consisting of 2 high-quality conical bellows each on the front and rear axle, specially calibrated shock absorbers on the front axle, 4 level sensors, compressor box and cable-connected control unit.	Var.	On request
Fiat Ducato X250/X290 (tandem axle) 35 Light - 40 Heavy	from 2006	Comfort-Camp 4C Consisting of 2 high-quality conical bellows each on the front and rear axle, specially calibrated shock absorbers on the front axle, 4 level sensors, compressor box and cable-connected control unit.	Var.	On request
AutoLevel option		Enables automatic levelling when stationary, within the boundaries of the available suspension travel.	1886447	from 582
*Prices do not include installation. assembly only possible in the South or North customer centres.				

COIL SPRINGS

Front axle coil springs	Year of manufacture	Version	Item no.	Price in €*
Fiat Ducato X250/X290, Peugeot Boxer, Citroën Jumper	from 2006	30/33/35 Light	1886478	
		35/40 Heavy (from 2000 kg actual front axle load)	1629457	575
		35/40 Heavy comfort (min. 1600 kg actual front axle load)	1886465	
Fiat Ducato 230/244, Peugeot Boxer, Citroën Jumper	1994 - 2006	10/14/15 light	1886477	575
		18 heavy (maxi)	1629298	
Renault Master III, Opel Movano A, Nissan Interstar X70	from 2010		1886471	575
*Prices do not include installation.				

HY4 – HYDRAULIC SUPPORT SYSTEM



Designation	Year of manufacture	Vehicle variant	Part no.	Price €*
HY4 Fiat / Peugeot / Citroën	from year of manufacture 2006	AL-KO chassis standard kit AHS 317 (front & rear cylinder length 317 mm)	1710658	6,245
HY4 Fiat / Peugeot / Citroën	from year of manufacture 2006	AL-KO chassis special kit deep AHS 277 (front cylinder length 317 mm, rear 277 mm)	1710851	6,245
HY4 Fiat / Peugeot / Citroën	from year of manufacture 2006	AL-KO SLC Chassis	1710895	6,245
HY4 Fiat / Peugeot / Citroën	from year of manufacture 2006	Fiat original chassis EHA (installation behind the rear axle outside)	1710852	6,310
HY4 Fiat / Peugeot / Citroën	from year of manufacture 2006	Fiat original chassis EHI (installation connection in front of / behind the rear axle inside)	1710853	6,310
HY4 Mercedes-Benz Sprinter**	from year of manufacture 2018	AL-KO AMC Chassis	1711116	6,389
HY4 Mercedes-Benz Sprinter**	from year of manufacture 2018	AL-KO SLC Chassis	1711122	6,389
HY4 Mercedes-Benz Sprinter**	from year of manufacture 2018	FWD original chassis	1711159	6,389
HY4 Mercedes-Benz Sprinter**	from year of manufacture 2018	RWD original chassis	1711260	6,389
HY4 Mercedes-Benz Sprinter**	from year of manufacture 2018	RWD 5.0 t original chassis	1711329	6,389
HY4 Mercedes-Benz Sprinter**	from year of manufacture 2018	RWD panel van	1711324	6,389
HY4 VW Crafter / MAN TGE	from year of manufacture 2017	High frame chassis	1711463	6,389
HY4 VW Crafter / MAN TGE	from year of manufacture 2017	Low frame chassis / panel van	1711464	6,389
HY4 VW Crafter / MAN TGE	from year of manufacture 2017	Low frame chassis with frame extension	1711465	6,389
Weighing function (incl. control unit/electrics, smartphone app available in App Store / Play Store) Can only be installed with AL-KO service tool			1732775	380

HY2 – hydraulic support system	Part no.	Price €*
HY2 X250 AL-KO chassis standard kit AHS 317	1 711 206	3299
HY2 X250 AL-KO chassis special kit low AHS 277	1 711 207	3299
HY2 X250 AL-KO SLC chassis	1 711 210	3299
HY2 X250 Fiat original chassis EHA - installation behind the rear axle outside	1 711 208	3299
HY2 X250 Fiat original chassis EHI - installation connection in front of / behind the rear axle inside	1 711 209	3299
HY2 X250 front / front installation	1 711 218	3299
HY2 Mercedes-Benz VS30 FWD AL-KO AMC chassis**	1 711 309	3338
HY2 Mercedes-Benz VS30 FWD AL-KO SLC chassis**	1 711 313	3338
HY2 Mercedes-Benz VS30 FWD original chassis**	1 711 315	3338
HY2 Mercedes-Benz VS30 RWD original chassis**	1 711 317	3338
HY2 Mercedes-Benz VS30 RWD original chassis**	1 711 319	3338
X250 HY2 to HY4 conversion kit	1 711 224	3816

*Price does not include installation. Installation only possible at trained retailers or the AL-KO Customer Centres. Incl. assemblies, controller/electrics, holders and small parts
**With clearance certificate from Mercedes-Benz

LEVELM – HYDRAULIC SUPPORT SYSTEM



Overview of levelM fully automatic support systems	Item no.	Price in €*	
2.0 t support system / x250 AL-KO	Var.	from 6149	
2.0 t support system / x250 Flabo	Var.		
2.0 t support system / x250 EC	Var.		
2.0 t support system / Ducato 230/244 AL-KO	Var.		
2.0 t support system / EC 230/244	Var.		
2.0 t support system / Sprinter 3.5 t with single tyres	Var.		
2.0 t support system / Sprinter 4 t with double tyres	Var.		
2.0 t support system / NCV 3.5 t with single tyres	Var.		
2.0 t support system / NCV 3.5 t with single tyres AL-KO	Var.		
2.0 t support system / NCV 5 t with double tyres	Var.		
2.0 t support system / IVECO 35-50C	Var.		
3.5 t support system / IVECO 60C-70C	Var.		
6 - 10 t support system	Var.		from 6435
Optional touch panel (standard control panel omitted)	4100926		658

*Prices do not include installation. Only for assembly in the AL-KO customer centres. Other vehicles on request.
Support system consisting of: 4 vehicle-specific supports, hydraulic unit, fully automatic control unit, operating unit, hose/connection material

CLICKFIX STEADY LEG



Required frame height		Support dimensions Support height				Mounting dimensions				Drive shaft length	Weight**	Part no.	Price €
min. A mm	max. B mm	min. C mm	max. D mm	E mm	FB mm	F mm	G mm	H mm	I mm	M mm	Set in kg		
310	424	281	445	140	302	364	40	41.5	45	200	7.2	1 239 362	429.50
320	440	297	464	142	320	382	40	41.5	45	200	7.3	1 239 363*	
420	624	397	654	150	419	481	40	41.5	45	200	8.4	1 239 364*	
460	710	446	744	155	469	531	40	41.5	45	200	8.9	1 239 365*	

* Supports can be manually adjusted in length via a cotter pin. ** For complete support set (two pieces) incl. screw/mounting material (0.8 kg).

ClickFix steady leg accessories	Net weight in kg	Part no.	Price €
Galvanised extending crank 665 mm long	0.6	205 520	24.50
Galvanised extending crank 865 mm long	0.8	267 363	24.50
Adapter Click Fix attachment kit		1710603	57.50
Adapter Click Fix Hymer SLC attachment kit		1710726	63.50

MOCA SUPPORT



Designation	Special notes	Item no.	Price in €
2 "MOCA" supports	Universal for 290-490 mm	1629224	236
2 "MOCA" supports	Universal for 330-530 mm	1629225	258
2 "MOCA" supports	for Euro Chassis 230 / 244 / X250 (front axle)	1629391	283
2 "MOCA" supports	for Ford flat-bottom chassis from production date 03 (front axle)	1629392	283
Support bracket set for mounting on the longitudinal member	e.g. for RA030	1884571	44.50
Support bracket set for mounting on Fiat chassis		1884572	58

Other holder types for the rear axle on request! *Not possible for Peugeot and Citroen Euro 6 with Adbluetank.

AREX LIGHT II

Designation	Item no.	Price in €
Double telescopic	1629789	313
Single telescopic	1629788	279
Support brackets incl. mounting material	1628016	58

ATC – AL-KO TRAILER CONTROL

AL-KO chassis	Gross weight min. – max. kg	Unladen weight min. kg	Item no.	Price €
	750 – 1,300	500	1732871	1162
	1,301 – 1,500	1,000	1732872	
	1,501 – 1,800	1,100	1732873	
	1,801 – 2,000	1,300	1732874	
	2,001 – 2,500	1,600	1732875	
	2,501 – 3,000	2,000	1732876	
	3,001 – 3,500	2,500	1732877	
	1,300 – 1,600	1,000	1732878	1015
	1,601 – 2,000	1,200	1732879	
	2,001 – 2,500	1,600	1732880	
	2,501 – 2,800	1,800	1732881	
	2,801 – 3,500	2,200	1732882	
	Hobby caravan			
Gross weight min. – max. kg	Unladen weight min. kg	Item no.	Price €	
750 – 1,300	500	1 225 429	1015	
1,301 – 1,600	800	1 225 430		
1,601 – 1,900	1,000	1 225 431		

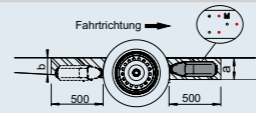
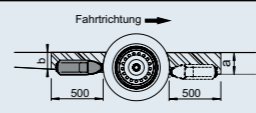
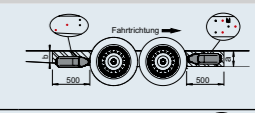
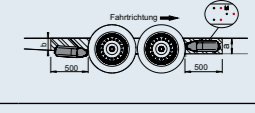
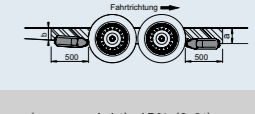
ATC installation in Hobby caravan (from model year 1997) with Knott axle.

AAA PREMIUM BRAKE

Designation	Item no.	Price €
Scope of supply: Compl. set for wheel brakes with bolted standard brake back plate from 1999.		
Wheel brake 2051 (SA up to 1,500 kg / TA up to 2,800 kg)	1 730 026	340.50
Wheel brake 2361 (SA up to 2,000 kg / TA up to 3,500 kg)	1 730 298	461.50

MAMMUT / MAMMUT TANDEM

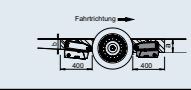
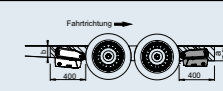
AL-KO
QUALITY FOR LIFE

Type	Weight kg	Part no.	Price €	
M20	32	1 730 367	3292	
S21	42	1 730 368	3435	
S22	42	1 730 369	3435	
TM400	67	1 730 287	5870	
TM410	77	1 730 288	6013	
TM420	77	1 730 289	6013	
TM401	74	1 730 238	6013	
TM402	74	1 730 054	6013	
TS411	84	1 730 237	6156	
TS412/TS421	84	1 730 233	6156	
TS422	84	1 730 049	6156	

Max. perm. gross caravan weight 2.5 t max. climbing power (gross weight): 10% (2.5 t) / 15% (2.0 t) / 17% (1.8 t) / 28% (1.2 t)

Max. perm. gross caravan weight 3.0 t max. climbing power (gross weight): 15% (3.0t)

RANGER

Type	Weight	Part no.	Price €	
S21 single axle trailer	37 kg	1 731 051	1574	
TS411 tandem	74 kg	1 731 211	3006	

ADD-ON KIT FOR VARIANT S/TS

Add-on kit for variant S/TS	Contents	MAMMUT	RANGER	Part no.	Price €
Add-on kit AL-KO Vario III AV / IV AV (installation behind the axle, reinforcement of frame profile 2 mm)	2 reinforcement plates with fixing bolts	X	X	1224882	53
Add-on kit AL-KO Vario III AV / IV AV (installation in front of the axle, overlapping adapter)	2 adapter plates with fixing bolts	–	X	1731042	143.50
Add-on kit AL-KO Vario II (installation in front of the axle, overlapping adapter)	2 adapter plates with fixing bolts	–	X	1731044	134.50
Add-on kit for frame height (X) less than 185 mm and more than 150 mm	3 x 2 spacer plates each 10 mm with fixing bolts	X	–	1224883	127.50
Add-on kit for frame height (X) less than 193 mm and more than 147 mm	2 spacer plates each 15 mm with fixing bolts	–	X	1731063	44.50

UP4 – ELECTRONIC SUPPORT SYSTEM

Designation	Additional weight kg	Part no.	Sales price €/Set
UP4	approx 17.5 System weight approx. 40 kg (without battery)	1731376	1629

LEVELC – HYDRAULIC SUPPORT SYSTEM



Designation	Special notes	Item no.	Price in €*
levelC caravan levelling system	Hydraulic support system with 6 supports	Var.	from 3229
Caravan emergency operation	Emergency release for raising the supports by hand	4100793	353
Optional Wifi module	For support system with 6 supports	4100724	254
Optional touch panel (standard control panel omitted)		4100962	658

*Prices do not include installation. Only for assembly in the AL-KO customer centres.

WHEELY

Item name	Item no.	Price in €
Wheely without conversion kit, 750 kg unbraked	1629257	2356
Wheely without conversion kit, 750 kg braked	1629753	2705
Conversion kit for 1 scooter incl. ramp	1629540	285
Conversion kit for 1 motorcycle incl. ramp	1629301	332
TÜV – individual payload increase acceptance from 750 kg to 950 kg	1629813	361
100 km/h permit	1629349	50

WHEELY DUO

WHEELY DUO	Item no.	Price in €
Wheely Duo 750 kg braked	1629669	3586
Conversion kit 2 motorcycles	1629670	451
Conversion kit TWIZY/QUAD	1884608	694
TÜV – individual payload increase acceptance from 750 kg to 950 kg	1629813	361

MOTORBIKE LOADING AID FOR WHEELY

MOTORBIKE LOADING AID		
For scooter	1886878	1229
For rear wheel width up to 180 mm	1629546	
For rear wheel width up to 250 mm	1886876	
For rear wheel width over 250 mm	1886877	
Conversion kit 2nd motorcycle for WHEELY DUO		
Scooter	1886881	655
For rear wheel width up to 180 mm	1629820	
For rear wheel width up to 250 mm	1886879	
For rear wheel width over 250 mm	1886880	
* Prices exclude trailer.		

TRAIGO 500

Article description	Item no.	Price in €
TRAIGO 500 basic version	1629683	1899
Conversion kit for 1 scooter	1629685	214
Conversion kit 4 bicycles on platform	1629783	436
Conversion kit 2 bicycles on platform (not illustrated)	1629784	251
Conversion kit 2 bicycles over the drawbar	1629743	315
Right steady leg incl. housing and spring bolt	1629760	70
Clearance light, long version incl. adapter plate	1629761	108

WHEELY – ACCESSORIES AND CONVERSION KITS

WHEELY	Item no.	Price in €
WHEELY single-axle trailer without conversion kit	1629257	2356
WHEELY braked version without conversion kit	1629753	2705
TÜV – individual payload increase acceptance 750 kg to 950 kg, braked	1629813	361
100 km/h permit	1629349	50

CONVERSION KITS		
Conversion kit for 1 scooter	1629540	285
Conversion kit for extendable bumper	1629258	262
Conversion kit 1 bicycle on extendable bumper	1629675	141.50
Conversion kit 1 bicycle in front of retaining strap	1884603	198
Conversion kit for 1 motorbike	1629301	335
MP3 conversion kit with three-part loading ramp	1629346	498
Conversion kit 2 bicycles in front of retaining strap	1629348	258
Conversion kit 2 bicycles on extendable bumper	1629259	275
Conversion kit Twizy/QUAD for WHEELY DUO	1884608	694
Conversion kit 4 bicycles on the platform	1887825	533
Conversion kit load area extension to 1100 mm	1629739	465
Changeover unbraked to braked	1887506	827
Mechanical lift device for motorcycles	1629546	1229

STORAGE SPACE	Item no.	Price in €
Ultra Box 360 lockable for V-drawbar	1629543	829
WHEELY aluminium side walls, 300 mm high	1629548	384.50
WHEELY aluminium side walls, 600 mm high	1623464	697
WHEELY Duo aluminium side walls, 300 mm high	1629857	498
WHEELY Duo aluminium side walls, 600 mm high	1884609	900
Aluminium box for V-drawbar, lockable (only in combination with 1629260)	1629261	297
V-drawbar basic holder (necessary for aluminium box)	1629260	120

ACCESSORIES	Item no.	Price in €
Spare wheel carrier for trailer wheel	1629249	89
Spare wheel 195/50/R13 loose on steel rim	1629413	191.50
Folding lock for unbraked trailer (not suitable for braked version)	1629547	113
Lock for braked trailer	1732594	102
Spare wheel carrier for towing vehicle wheel under the platform (max. tyre width 210)	1629676	128
"Basic" strap set	1629542	66
"Premium" strap set with hooks and Spannfix	1629302	128
Manual cable winch with deflection	1629347	128
Folding, drive-on ramp, curved, up to 340 kg load	1629284	150.50
Holding arm to secure trailing arm	1629541	+97
Additional ring bolts set of 4	1629304	14
MP3 ramp elevation	1629626	39
Main bracket in front of platform for Boxer engines	1884599	20
Basic holder lowered for braked trailer	1884604	119

NOTES



Member of 

ALOIS KOBER GMBH
SAWIKO branch
Ringstraße 3
49434 Neuenkirchen-Vörden
Germany
Tel: +49 5493 - 99 220
E-mail: info@sawiko.de
www.sawiko.com

For technical questions, contact your retailer:

 Visit AL-KO at
facebook.com/alko.caravaning

Part No. 1628417 – Subject to changes in line with technical progress.
No liability accepted for mistakes and printing errors. Issue 01/2024