



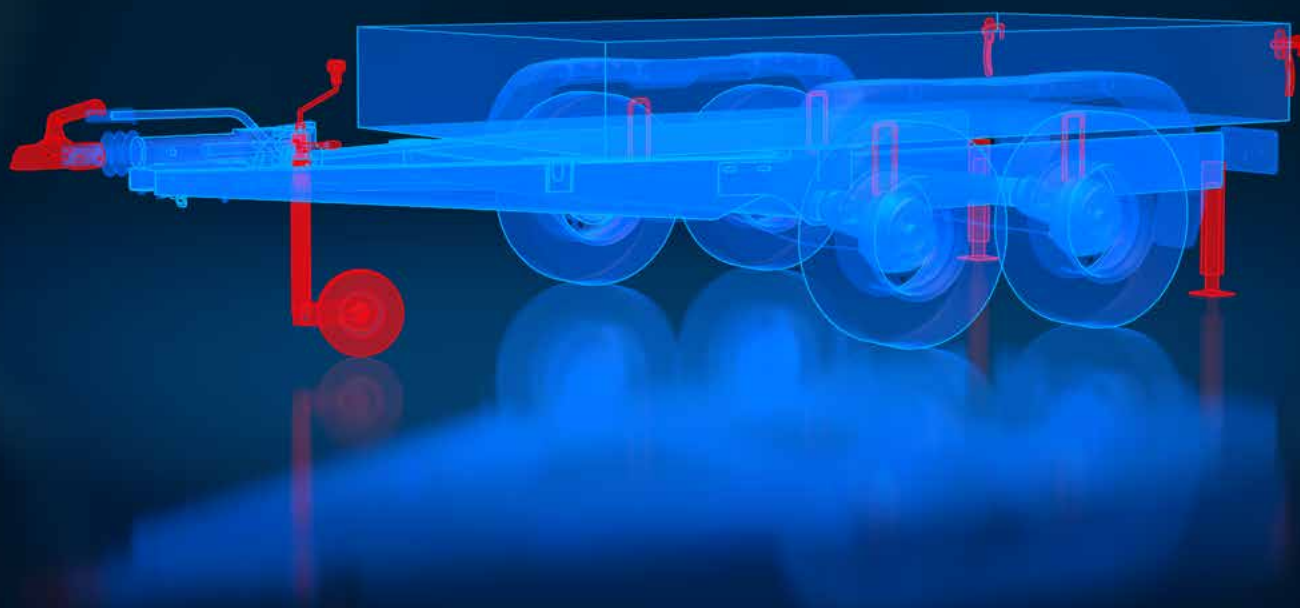
**WINTERHOFF**  
QUALITY TRAILER SYSTEMS

**AL-KO**

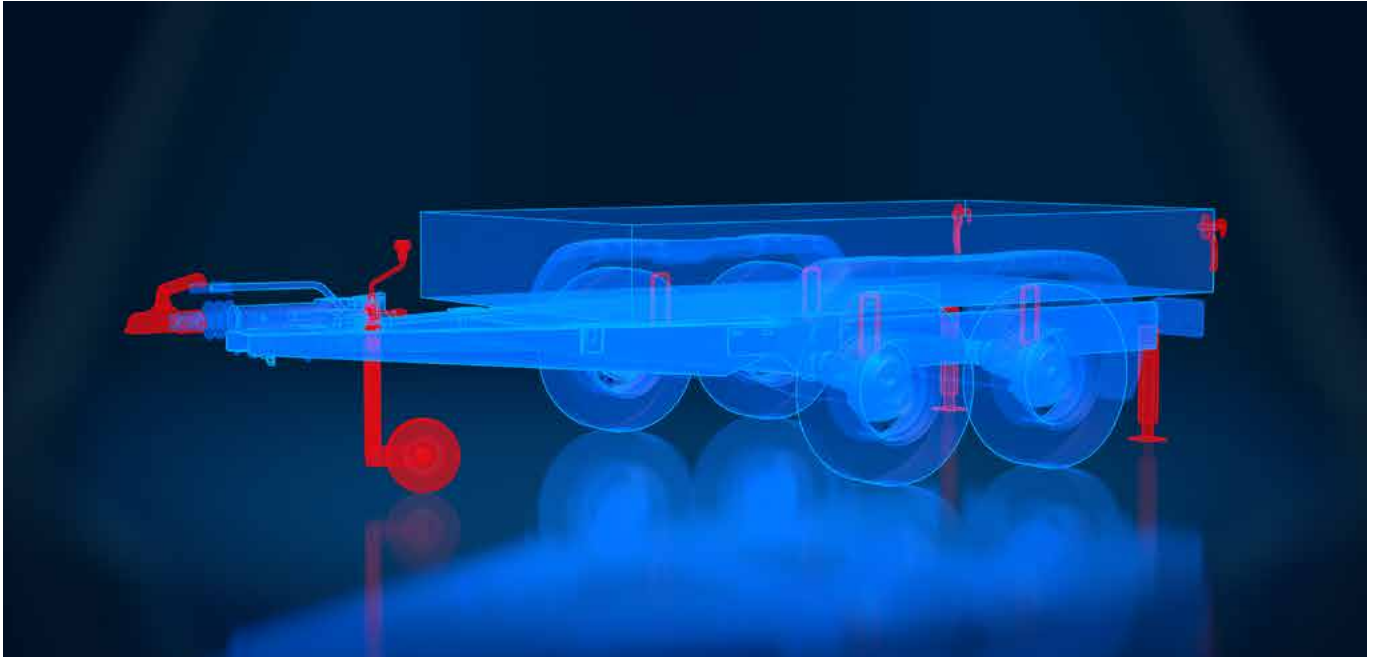
QUALITY FOR LIFE

# QUALITY TRAILER SYSTEMS

## ACCESSORIES FOR COMMERCIAL TRAILERS



# QUALITY CONNECTS



## HOW IT ALL STARTED

As the oldest German manufacturer of coupling heads and safety components for trailers and caravans, the Winterhoff brand looks back on over 70 years of company history. In addition to continuity and sustainability, openness, reliability as well as dynamics and innovative spirit are the driving forces behind Winterhoff's success. This was not least underlined by Winterhoff in 2001 with the acquisition of ALBE BERNDES, the second oldest German manufacturer of coupling heads.

## WINTERHOFF JOINS DEXKO GLOBAL INC.

Winterhoff had already been working in partnership with AL-KO as a reliable supplier of jockey wheels. As a result of the positive collaboration, AL-KO Vehicle Technology decided to take over the company in 2016. Since then Winterhoff has been part of DexKo Global Inc., the world's largest manufacturer of trailer axles and chassis components in the lightweight sector.

Following the integration, Winterhoff's product range in the Accessories area has been gradually extended. Jockey wheels, steady legs and extendable corner steadies, hitches for braked and unbraked trailers, stabiliser couplings, accessories for jockey wheels, supports and hitches as well as anti-theft devices and tailgate latches are currently part of the range.

Following the acquisition by AL-KO Vehicle Technology, the Winterhoff brand continues to stand for the highest level of quality, which is repeatedly recognised by external awards, as well as modern product developments. Armed with decades of experience, dedicated employees, modern production and logistics as well as an integrated quality management system, Winterhoff continues to guarantee a high standard at an attractive price, which its customers have come to rely on. In light of the positive developments, AL-KO intends to retain the Winterhoff brand and its products.

# TABLE OF CONTENTS

## Jockey wheels

Jockey wheel Ø 48

Jockey wheel Ø 60

Jockey wheel Ø 70

Accessories for jockey wheels

## Page 4

Page 5 – 10

Page 11 – 16

Page 17

Page 18 – 23

## Supports

Steady legs

Extendable corner steadies

Accessories for supports

## Page 24

Page 25 – 28

Page 29

Page 28 – 29

## Hitches

Hitches for unbraked trailers

Hitches for braked trailers

Accessories for hitches

Hitch WS 3000/WS 3500 with stabilisation device for braked trailers

Anti-theft devices

## Page 30

Page 31 – 36

Page 36 – 40

Page 41

Page 42 – 43

Page 44 – 45

## Tailgate latches

## Page 46 – 51



**Net weight**



**EWP – one-way pallet**



**GiBo – pallet cage**



**Delivery time in working days**

# JOCKEY WHEELS

## Jockey wheels are used in a wide variety of applications

Our very wide range of products and functions will leave you spoilt for choice. To make the choice easier, the following symbols specify the product group, additional uses and product features.



**Long design**  
More adjustment range  
(adjustment stroke)



**Rotation lock**  
Prevents loss while  
driving



**Fully automatic**  
Wheel is pivoted up  
fully automatically



**Galvanised**  
Standard corrosion protection



**Anti-slip device**  
Prevents slipping  
in the clamp



**Wheel is removable**



**Hot-dip galvanised**  
High-quality corrosion protection



**Nose load scale**  
Displays nose load on the  
coupling point



**Swing arm suspension**  
Cushions ground irregularities



**Crank with thrust block**  
Easier to use the crank



**Grease nipple**  
Ensures smooth operation



**Wheel load scale**  
Displays wheel load on the wheel



**Removable crank**  
Removable crank prevents  
unintentional operation



**Manual operation**  
Pivoting the wheel up  
by hand



**Wheel stop**  
Blocks the wheel



**Folding crank**  
Space-saving



**Foot operation**  
Pivoting the wheel up  
by foot



## BASIC PRODUCT LINE

The **BASIC** products are entirely solid and robust. They are characterised by very good processing properties for the respective area of use, and are essential in day-to-day trailer use, as they fulfil the basic needs of the trailer users. We ensure that these Basic variants also meet our high quality standards and exceed the legal minimum requirements.



## PLUS PRODUCT LINE

The products from the **PLUS** category impress with high-quality workmanship, reliability, high-quality materials and long service life. Their high stability and clever technical details meet the increased demands of day-to-day work with trailers. All products have extended functions and are nevertheless user-friendly and have an attractive design.

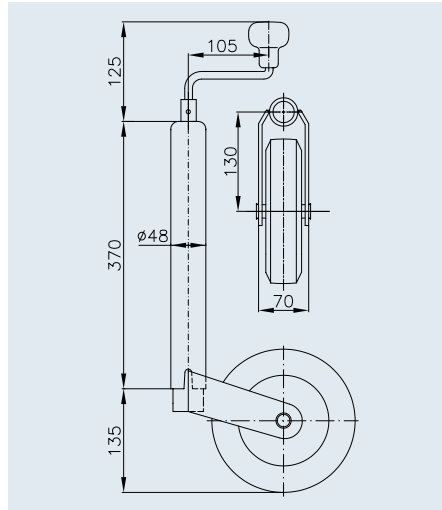


## PREMIUM PROFI PRODUCT LINE

**PREMIUM PROFI** products are characterised by trailblazing design, sophisticated functions and top quality. They are innovative and traditional products for the highest demands and challenging areas of application. They are the gold standard in terms of processing, material and design. Their longevity ensures that you will have many years of joy with these products.





# RIGID JOCKEY WHEELS

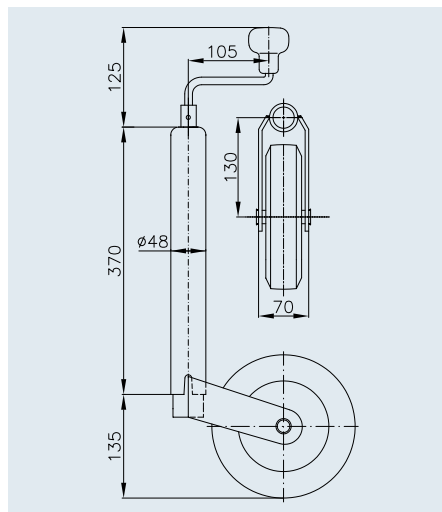
Ø 48 mm, max. 150 kg



## SAP: JOCKEY WHEEL ST 48-200 V





### Jockey wheel ST 48-200 V

<b>Part No.</b>	1860904
<b>Stationary nose load</b>	max. 150 kg
<b>Nose load when manoeuvring</b>	max. 90 kg
<b>Rim</b>	Plastic
<b>Wheel</b>	200 x 50 solid rubber
<b>Extended length</b>	220 mm
	4.43 kg
 	EWP 125 / GiBo 125
	12



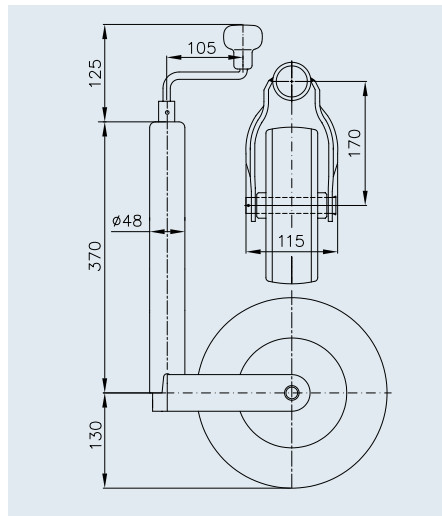
## SAP: JOCKEY WHEEL ST 48-200 VB

### Jockey wheel ST 48-200 VB

<b>Part No.</b>	1860905
<b>Stationary nose load</b>	max. 150 kg
<b>Nose load when manoeuvring</b>	max. 90 kg
<b>Rim</b>	Steel
<b>Wheel</b>	200 x 50 solid rubber
<b>Extended length</b>	220 mm
	4.65 kg
 	EWP 125 / GiBo 125
	12

# RIGID JOCKEY WHEELS

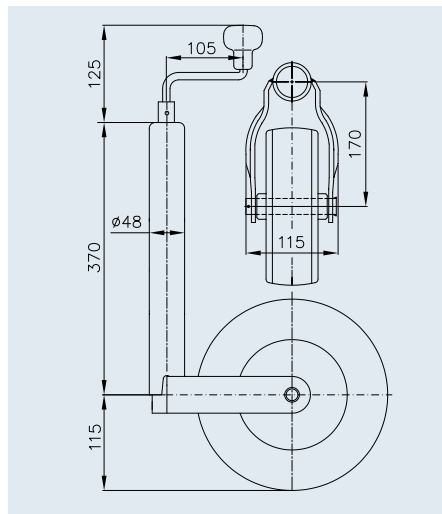
Ø 48 mm, max. 150 kg



**SAP: JOCKEY WHEEL ST 48-260 LB**

**Jockey wheel ST 48-260 LB**

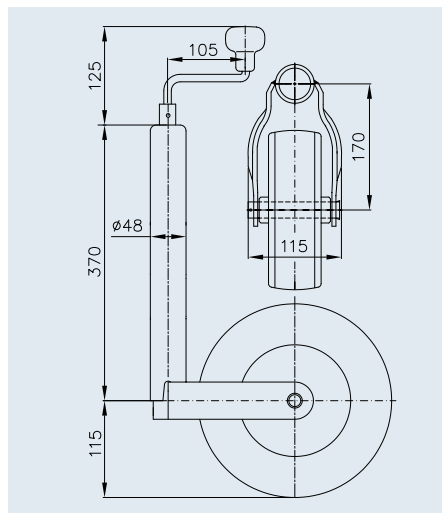
<b>Part No.</b>	1860909
<b>Stationary nose load</b>	max. 150 kg
<b>Nose load when manoeuvring</b>	max. 90 kg
<b>Rim</b>	Steel
<b>Wheel</b>	260 x 85, air
<b>Extended length</b>	210 mm
	5.10 kg
	EWP 60 / GiBo 60
	12



**SAP: JOCKEY WHEEL ST 48-255 S**

**Jockey wheel ST 48-255 S**

<b>Part No.</b>	1860917
<b>Stationary nose load</b>	max. 150 kg
<b>Nose load when manoeuvring</b>	max. 90 kg
<b>Rim</b>	Plastic
<b>Wheel</b>	225 x 70 solid rubber
<b>Extended length</b>	210 mm
	5.54 kg
	EWP 75 / GiBo 75
	12



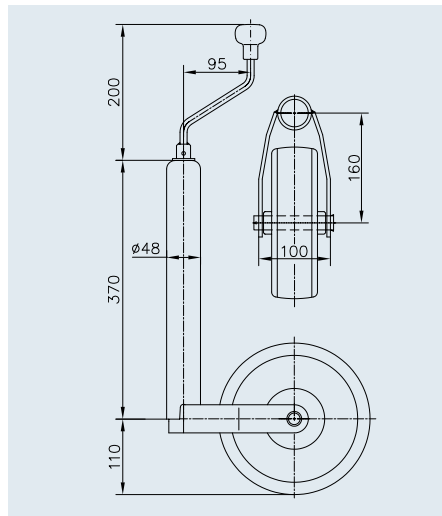
**SAP: JOCKEY WHEEL ST 48-255 SB**

**Jockey wheel ST 48-255 SB**

<b>Part No.</b>	1860919
<b>Stationary nose load</b>	max. 150 kg
<b>Nose load when manoeuvring</b>	max. 90 kg
<b>Rim</b>	Steel
<b>Wheel</b>	225 x 70 solid rubber
<b>Extended length</b>	210 mm
	5.83 kg
	EWP 75 / GiBo 75
	12



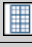

# RIGID JOCKEY WHEELS

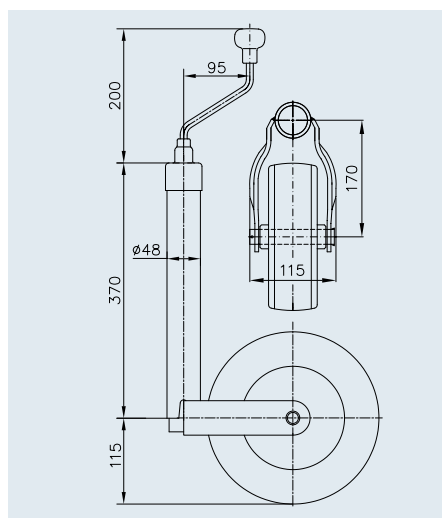
Ø 48 mm, max. 150 kg



**SAP:** JOCKEY WHEEL ST 48-C-240 S





## Jockey wheel ST 48-C-240 S

<b>Part No.</b>	1860912
<b>Stationary nose load</b>	max. 150 kg
<b>Nose load when manoeuvring</b>	max. 90 kg
<b>Rim</b>	Plastic
<b>Wheel</b>	215 x 70, plastic
<b>Extended length</b>	220 mm
	4.51 kg
 	EWP 75 / GiBo 75
	12



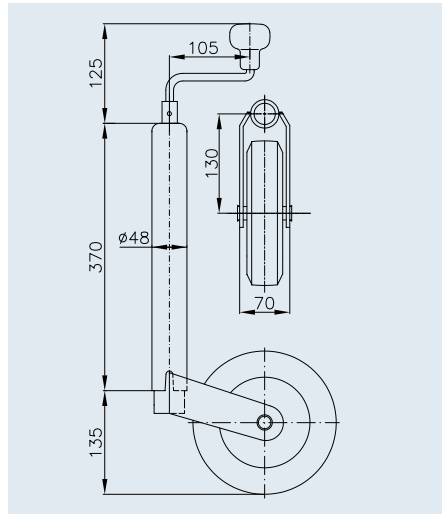
**SAP:** JOCKEY WHEEL ST 48-CE-240 S

## Jockey wheel ST 48-CE-255 SB

<b>Part No.</b>	1860911
<b>Stationary nose load</b>	max. 150 kg
<b>Nose load when manoeuvring</b>	max. 90 kg
<b>Rim</b>	Steel
<b>Wheel</b>	225 x 70 solid rubber
<b>Extended length</b>	220 mm
	5.91 kg
 	EWP 70 / GiBo 75
	12

# RIGID JOCKEY WHEELS

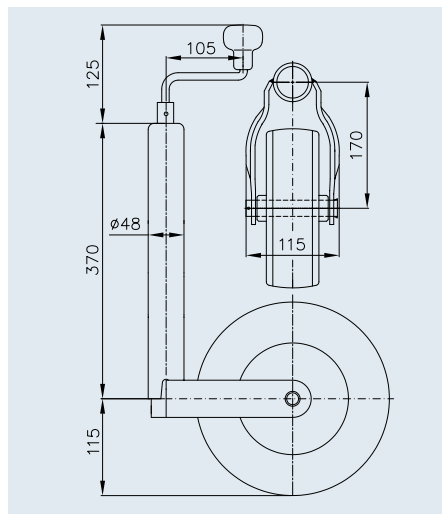
reinforced version, Ø 48 mm, max. 200 – 250 kg



**SAP: JOCKEY WHEEL ST 48-V-200 VB**

## Jockey wheel ST 48-V-200 VB

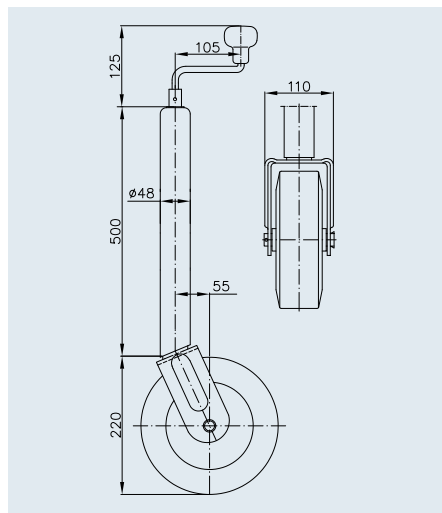
<b>Part No.</b>	1860926
<b>Stationary nose load</b>	max. 200 kg
<b>Nose load when manoeuvring</b>	max. 120 kg
<b>Rim</b>	Steel
<b>Wheel</b>	200 x 50 solid rubber
<b>Extended length</b>	230 mm
	5.06 kg
	EWP 125 / GiBo 125
	12



**SAP: JOCKEY WHEEL ST 48-V-255 SB**

## Jockey wheel ST 48-V-255 SB

<b>Part No.</b>	1860927
<b>Stationary nose load</b>	max. 200 kg
<b>Nose load when manoeuvring</b>	max. 120 kg
<b>Rim</b>	Steel
<b>Wheel</b>	225 x 70 solid rubber
<b>Extended length</b>	230 mm
	6.28 kg
	EWP 75 / GiBo 75
	12



**SAP: JOCKEY WHEEL ST 48-VLS-255 SB**

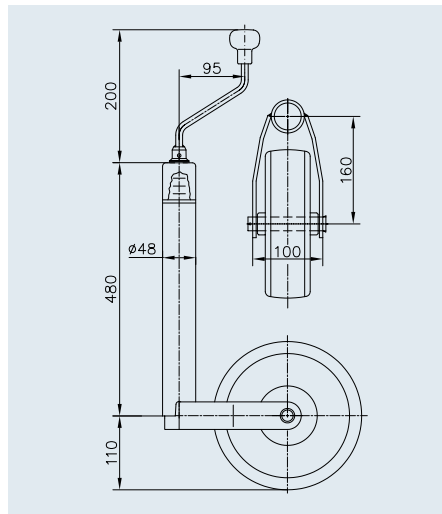
## Jockey wheel ST 48-VLS-255 SB

<b>Part No.</b>	1860871
<b>Stationary nose load</b>	max. 250 kg
<b>Nose load when manoeuvring</b>	max. 150 kg
<b>Rim</b>	Steel
<b>Wheel</b>	225 x 70 solid rubber
<b>Extended length</b>	230 mm
	7.60 kg
	EWP 70 / GiBo 70
	12



# RIGID JOCKEY WHEELS

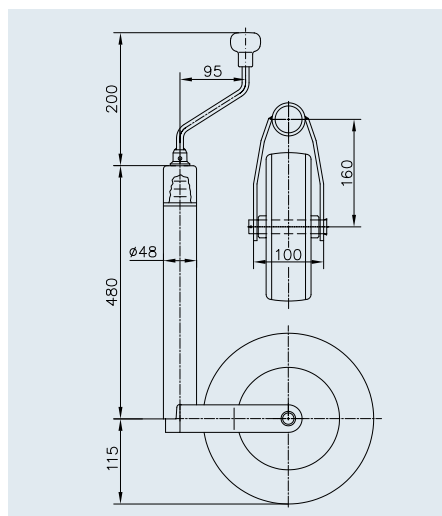
with integrated nose load indicator, Ø48 mm, max. 150 kg



**SAP:** JOCKEY WHEEL ST 48-CW-240 S+BA

## Jockey wheel ST 48-CW-240 S

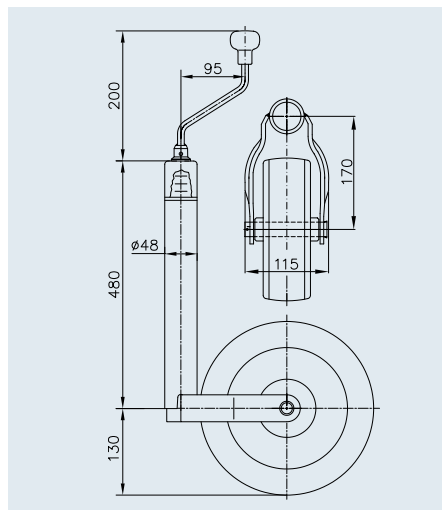
<b>Part No.</b>	1860923
<b>Stationary nose load</b>	max. 150 kg
<b>Nose load when manoeuvring</b>	max. 90 kg
<b>Rim</b>	Plastic
<b>Wheel</b>	215 x 70, plastic
<b>Extended length</b>	220 mm
	5.30 kg
	EWP 75 / GiBo 75
	12



**SAP:** JOCKEY WHEEL ST 48-CW-255 SB+BA

## Jockey wheel ST 48-CW-255 SB

<b>Part No.</b>	1860924
<b>Stationary nose load</b>	max. 150 kg
<b>Nose load when manoeuvring</b>	max. 90 kg
<b>Rim</b>	Steel
<b>Wheel</b>	225 x 70 solid rubber
<b>Extended length</b>	220 mm
	6.62 kg
	EWP 75 / GiBo 75
	12



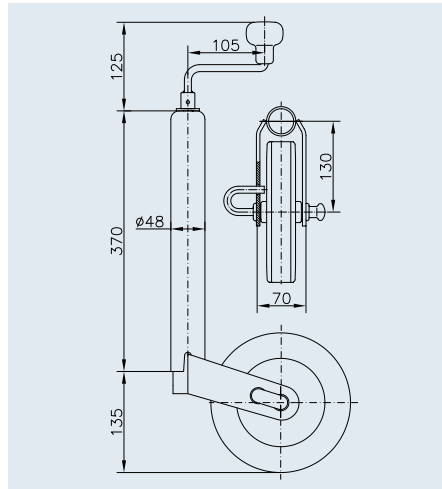
**SAP:** JOCKEY WHEEL ST 48-CW-260 LB+BA

## Jockey wheel ST 48-CW-260 LB

<b>Part No.</b>	1860925
<b>Stationary nose load</b>	max. 150 kg
<b>Nose load when manoeuvring</b>	max. 90 kg
<b>Rim</b>	Steel
<b>Wheel</b>	260 x 85, air
<b>Extended length</b>	220 mm
	5.57 kg
	EWP 60 / GiBo 60
	12

# RIGID JOCKEY WHEELS

with integrated brake function, Ø 48 mm, max. 150 kg

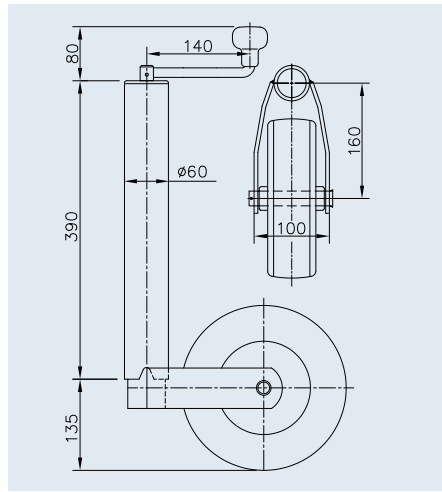


<b>SAP: JOCKEY WHEEL ST 48-RB-200 V</b>	
<b>Jockey wheel ST 48-RB-200 V</b>	
<b>Part No.</b>	1860910
<b>Stationary nose load</b>	max. 150 kg
<b>Nose load when manoeuvring</b>	max. 90 kg
<b>Rim</b>	Plastic
<b>Wheel</b>	200 x 50 solid rubber
<b>Extended length</b>	220 mm
	4.60 kg
	EWP 100 / GiBo 100
	12



# RIGID JOCKEY WHEELS

Ø 60 mm, max. 250 – 500 kg

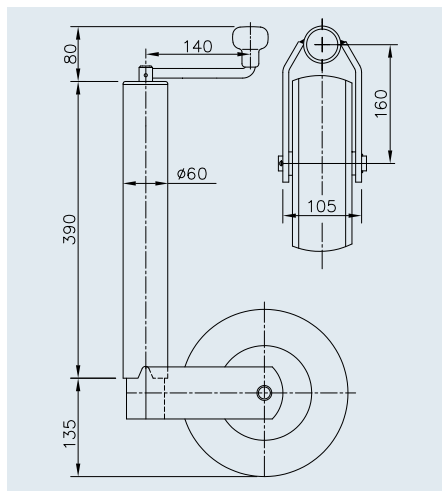


**SAP: JOCKEY WHEEL ST 60-255 SB**

**Jockey wheel ST 60-255 SB**

<b>Part No.</b>	1860678
<b>Stationary nose load</b>	max. 250 kg
<b>Nose load when manoeuvring</b>	max. 150 kg
<b>Rim</b>	Steel
<b>Wheel</b>	225 x 70 solid rubber
<b>Extended length</b>	230 mm
	7.75 kg
	EWP 75 / GiBo 75
	12

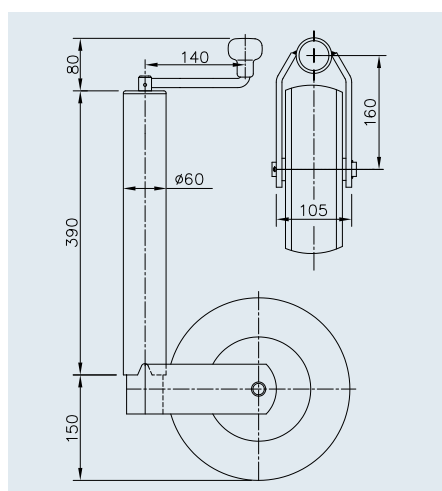
reinforced version



**SAP: JOCKEY WHEEL ST 60-V-255 SB**

**Jockey wheel ST 60-V-255 SB**

<b>Part No.</b>	1860889
<b>Stationary nose load</b>	max. 400 kg
<b>Nose load when manoeuvring</b>	max. 240 kg
<b>Rim</b>	Steel
<b>Wheel</b>	225 x 70 solid rubber
<b>Extended length</b>	230 mm
	9.23 kg
	EWP 70 / GiBo 70
	12



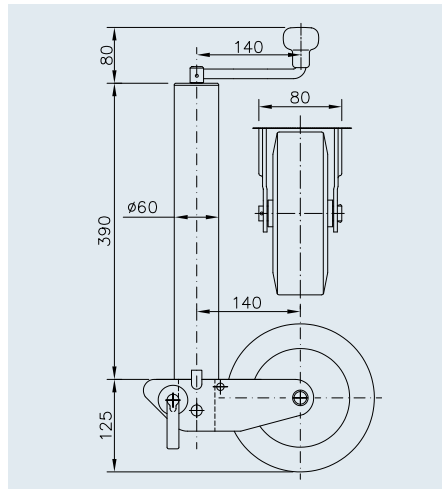
**SAP: JOCKEY WHEEL ST 60-V-255 VB**

**Jockey wheel ST 60-V-255 VB**

<b>Part No.</b>	1860891
<b>Stationary nose load</b>	max. 500 kg
<b>Nose load when manoeuvring</b>	max. 300 kg
<b>Rim</b>	Steel
<b>Wheel</b>	225 x 80 solid rubber
<b>Extended length</b>	230 mm
	10.65 kg
	EWP 60 / GiBo 60
	12

# SEMI-AUTOMATIC JOCKEY WHEELS

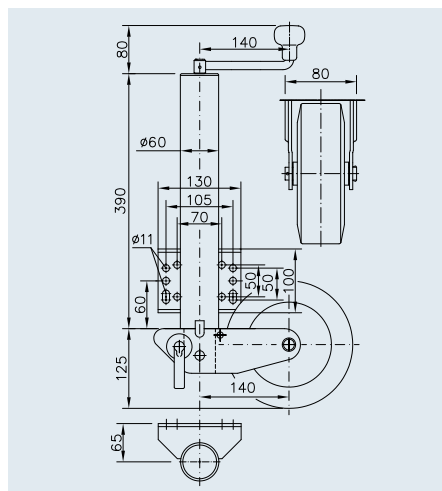
with support shoe, Ø 60 mm, max. 250 kg



## SAP: JOCKEY WHEEL K 60-200 VB

### Jockey wheel K 60-200 VB

<b>Part No.</b>	1860879
<b>Stationary nose load</b>	max. 250 kg
<b>Nose load when manoeuvring</b>	max. 150 kg
<b>Rim</b>	Steel
<b>Wheel</b>	200 x 50 solid rubber
<b>Extended length</b>	180 + 230 mm
	7.99 kg
	EWP 70 / GiBo 70
	12



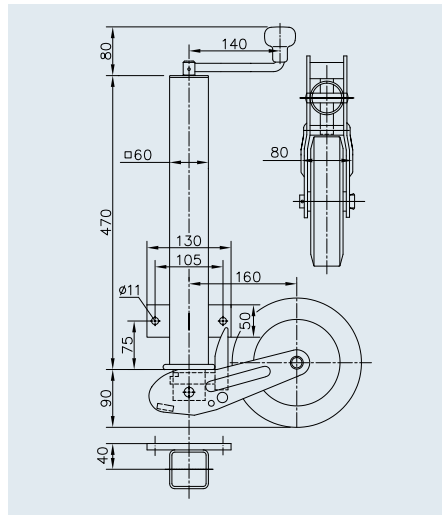
## SAP: JOCKEY WHEEL K 60-B-200 VB

### Jockey wheel K 60-B-200 VB

<b>Part No.</b>	1860880
<b>Stationary nose load</b>	max. 250 kg
<b>Nose load when manoeuvring</b>	max. 150 kg
<b>Rim</b>	Steel
<b>Wheel</b>	200 x 50 solid rubber
<b>Extended length</b>	180 + 230 mm
	8.80 kg
	EWP 70 / GiBo 70
	12

# FULLY AUTOMATIC JOCKEY WHEELS

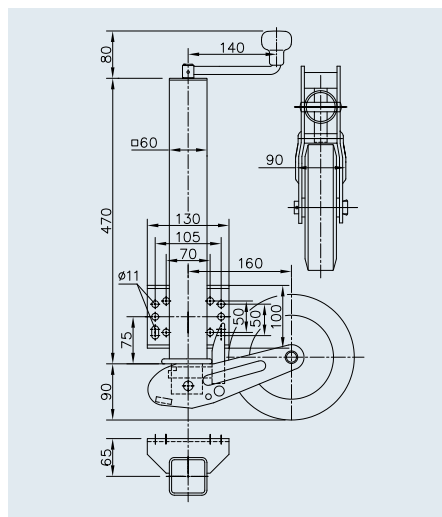
with support shoe,  $\varnothing 60$  mm, max. 250 kg



**SAP: JOCKEY WHEEL VK 60-P2H-200 VBB**

**Jockey wheel VK 60-P2H-200 VBB**

<b>Part No.</b>	1860667
<b>Stationary nose load</b>	max. 250 kg
<b>Nose load when manoeuvring</b>	max. 150 kg
<b>Rim</b>	Steel
<b>Wheel</b>	200 x 60 solid rubber
<b>Extended length</b>	235 + 235 mm
	10.43 kg
	EWP 70 / GiBo 70
	12



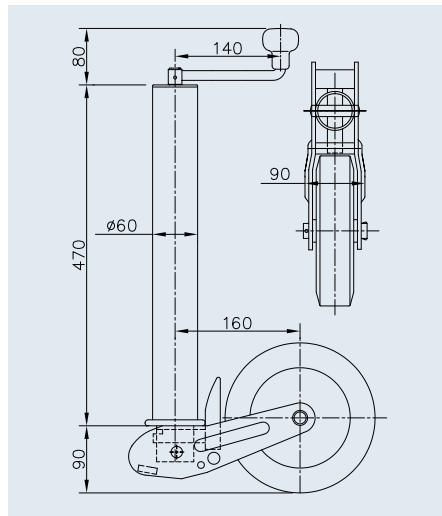
**SAP: JOCKEY WHEEL VK 60-PB1-200 VBB**

**Jockey wheel VK 60-PB1-200 VBB**

<b>Part No.</b>	1860877
<b>Stationary nose load</b>	max. 250 kg
<b>Nose load when manoeuvring</b>	max. 150 kg
<b>Rim</b>	Steel
<b>Wheel</b>	200 x 60 solid rubber
<b>Extended length</b>	235 + 235 mm
	10.52 kg
	EWP 70 / GiBo 70
	12

# FULLY AUTOMATIC JOCKEY WHEELS

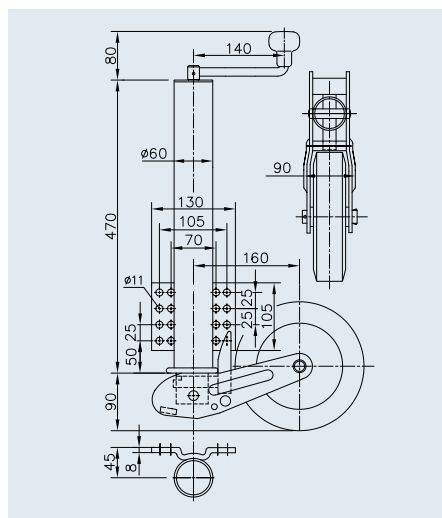
with fully automatic support shoe, Ø 60 mm, max. 250 kg



**SAP: JOCKEY WHEEL VK 60-200 VBB**

**Jockey wheel VK 60-200 VBB**

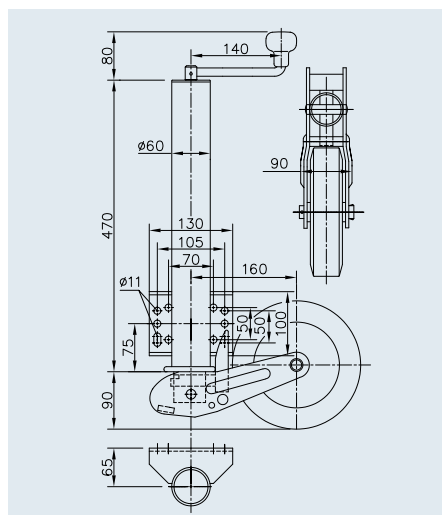
<b>Part No.</b>	1860872
<b>Stationary nose load</b>	max. 250 kg
<b>Nose load when manoeuvring</b>	max. 150 kg
<b>Rim</b>	Steel
<b>Wheel</b>	200 x 60 solid rubber
<b>Extended length</b>	235 + 235 mm
	9.44 kg
	EWP 70 / GiBo 70
	12



**SAP: JOCKEY WHEEL VK 60-KH-200 VBB**

**Jockey wheel VK 60-KH-200 VBB**

<b>Part No.</b>	1860664
<b>Stationary nose load</b>	max. 250 kg
<b>Nose load when manoeuvring</b>	max. 150 kg
<b>Rim</b>	Steel
<b>Wheel</b>	200 x 60 solid rubber
<b>Extended length</b>	235 + 235 mm
	10.09 kg
	EWP 70 / GiBo 70
	12



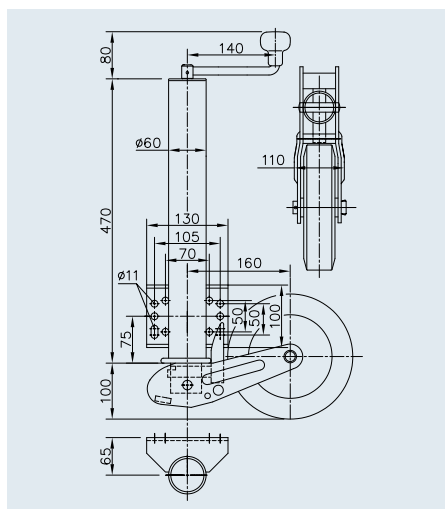
**SAP: JOCKEY WHEEL K 60-BH-200 VBB**

**Jockey wheel VK 60-BH-200 VBB**

<b>Part No.</b>	1860670
<b>Stationary nose load</b>	max. 250 kg
<b>Nose load when manoeuvring</b>	max. 150 kg
<b>Rim</b>	Steel
<b>Wheel</b>	200 x 60 solid rubber
<b>Extended length</b>	235 + 235 mm
	10.24 kg
	EWP 70 / GiBo 70
	12

# FULLY AUTOMATIC JOCKEY WHEELS

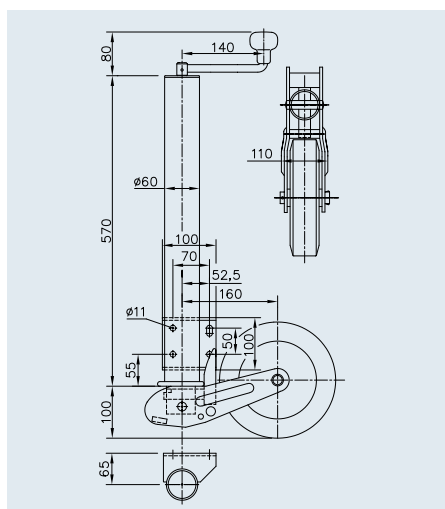
with fully automatic support shoe, Ø 60 mm, max. 350 – 400 kg



**SAP: JOCKEY WHEEL VK 60-BH-255 SB**

**Jockey wheel VK 60-BH-255 SB**

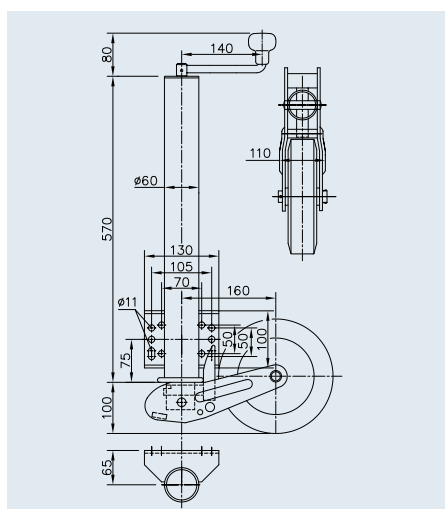
<b>Part No.</b>	1860671
<b>Stationary nose load</b>	max. 350 kg
<b>Nose load when manoeuvring</b>	max. 210 kg
<b>Rim</b>	Steel
<b>Wheel</b>	225 x 70 solid rubber
<b>Extended length</b>	235 + 235 mm
	10.81 kg
	EWP 60 / GiBo 60
	12



**SAP: JOCKEY WHEEL VK 60-ABLFH-255 SB**

**Jockey wheel VK 60-ABLFH-255 SB**

<b>Part No.</b>	1860675
<b>Stationary nose load</b>	max. 400 kg
<b>Nose load when manoeuvring</b>	max. 240 kg
<b>Rim</b>	Steel
<b>Wheel</b>	225 x 70 solid rubber
<b>Extended length</b>	235 + 335 mm
	11.97 kg
	EWP 60 / GiBo 60
	12



**SAP: JOCKEY WHEEL VK 60-BLH-255 SB**

**Jockey wheel VK 60-BLH-255 SB**

<b>Part No.</b>	1860674
<b>Stationary nose load</b>	max. 400 kg
<b>Nose load when manoeuvring</b>	max. 240 kg
<b>Rim</b>	Steel
<b>Wheel</b>	225 x 70 solid rubber
<b>Extended length</b>	235 + 335 mm
	11.99 kg
	EWP 55 / GiBo 60
	12

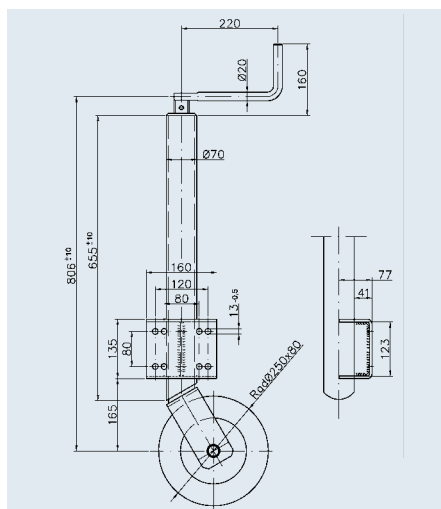






# RIGID JOCKEY WHEELS

Ø 70 mm, max. 900 kg



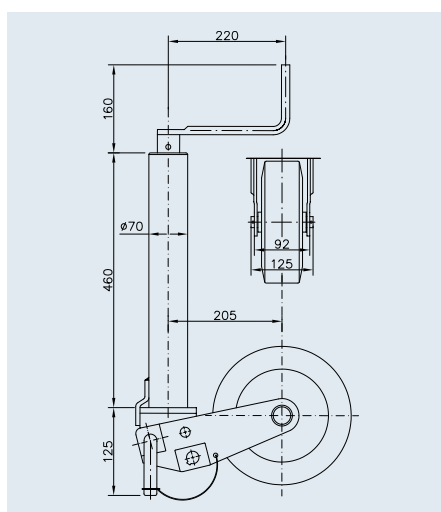
**SAP:** JOCKEY WHEEL ST 70-L-250 VAR

**Jockey wheel ST 70-L-250 VAR**

<b>Part No.</b>	1860893
<b>Stationary nose load</b>	max. 900 kg
<b>Nose load when manoeuvring</b>	max. 540 kg
<b>Rim</b>	Steel
<b>Wheel</b>	250 x 80, solid rubber
<b>Extended length</b>	370 mm
	18.50 kg
	EWP 25 / GiBo 25
	12

# SEMI-AUTOMATIC JOCKEY WHEELS

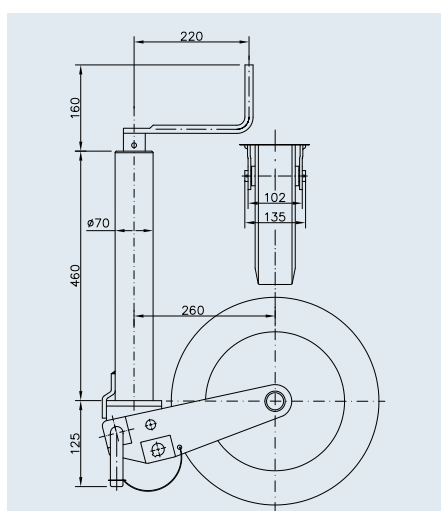
with semi-automatic support shoe, Ø 70 mm, max. 500 – 600 kg



**SAP:** JOCKEY WHEEL K 70-250 VBR

**Jockey wheel K 70-250 VBR**

<b>Part No.</b>	1860882
<b>Stationary nose load</b>	max. 500 kg
<b>Nose load when manoeuvring</b>	max. 300 kg
<b>Rim</b>	Steel
<b>Wheel</b>	250 x 60 solid rubber
<b>Extended length</b>	245 + 220 mm
	16.06 kg
	EWP 25 / GiBo 25
	12



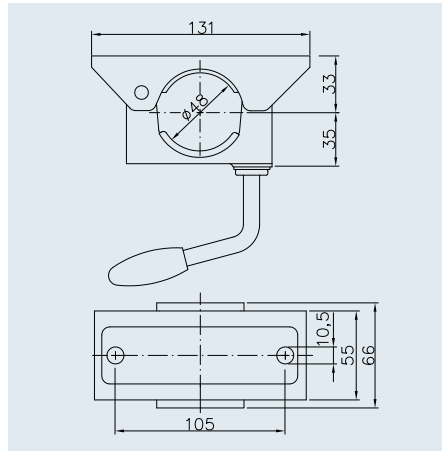
**SAP:** JOCKEY WHEEL K 70-400 VBR

**Jockey wheel K 70-400 VBR**

<b>Part No.</b>	1860886
<b>Stationary nose load</b>	max. 600 kg
<b>Nose load when manoeuvring</b>	max. 360 kg
<b>Rim</b>	Steel
<b>Wheel</b>	400 x 75 solid rubber
<b>Extended length</b>	330 + 220 mm
	19.00 kg
	EWP 20 / GiBo 20
	12




# ACCESSORIES FOR JOCKEY WHEELS

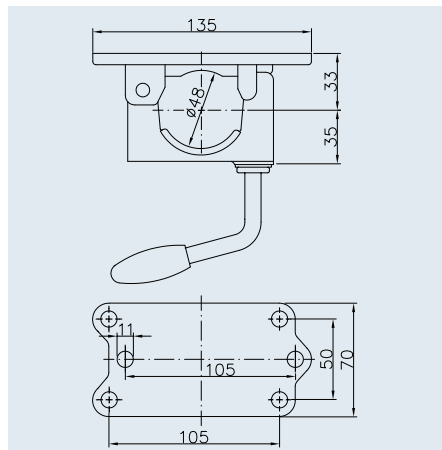
Bracket, Ø 48 mm, max. 250 kg



**SAP: CLAMP KLE 48**




**Bracket KLE 48**

<b>Part No.</b>	1860644
<b>Stationary nose load</b>	max. 250 kg
<b>Base plate</b>	Steel
<b>Connection</b>	2-hole
	0.76 kg
	EWP 1,000 / GiBo 1,000
	12



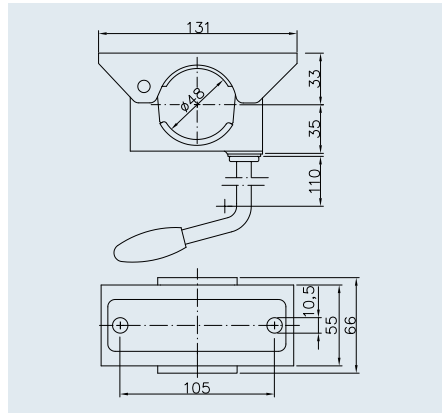
**SAP: CLAMP KLE 48-G**

**Bracket KLE 48-G**

<b>Part No.</b>	1860656
<b>Stationary nose load</b>	max. 250 kg
<b>Base plate</b>	Cast iron
<b>Connection</b>	6-hole
	0.82 kg
	EWP 1,000 / GiBo 1,000
	12

# ACCESSORIES FOR JOCKEY WHEELS




Bracket, Ø 48 mm, max. 250 kg

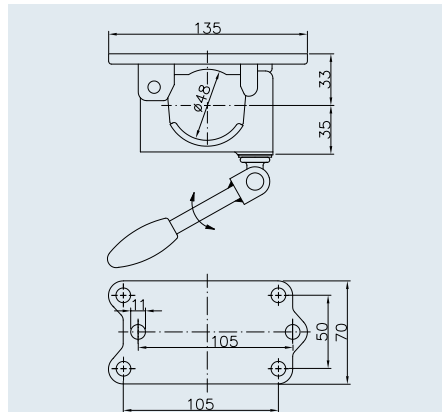


Zn

**SAP: CLAMP KLE 48-LK**

**Bracket KLE 48-LK**




<b>Part No.</b>	1860649
<b>Stationary nose load</b>	max. 250 kg
<b>Base plate</b>	Steel
<b>Connection</b>	2-hole
	0.81 kg
	EWP 1,000 / GiBo 1,000
	12

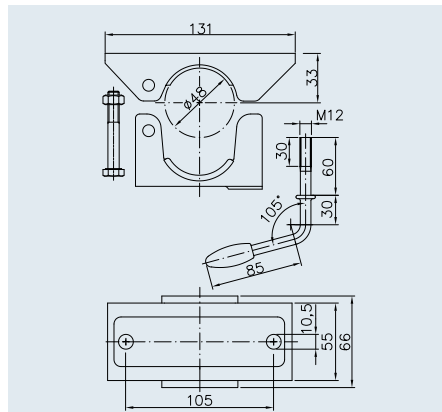


Zn

**SAP: CLAMP KLE 48-GKK**

**Bracket KLE 48-GKK**




<b>Part No.</b>	1860657
<b>Stationary nose load</b>	max. 250 kg
<b>Base plate</b>	Cast iron
<b>Connection</b>	6-hole
	0.90 kg
	EWP 750 / GiBo 750
	12



Zn

**SAP: CLAMP KLE 48-R**

**Bracket KLE 48-R**

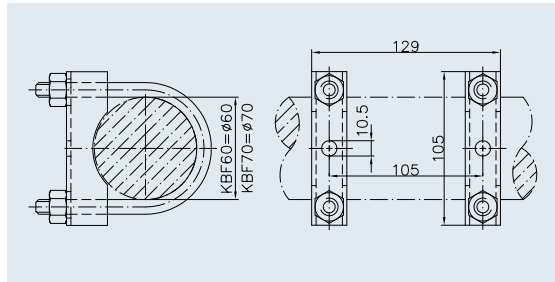
<b>Part No.</b>	1860646
<b>Stationary nose load</b>	max. 250 kg
<b>Base plate</b>	Steel, raw
<b>Connection</b>	2-hole
	0.64 kg
	-
	12

# ACCESSORIES FOR BRACKETS

Ø 48 mm, max. 250 kg



**KBF 60/70**



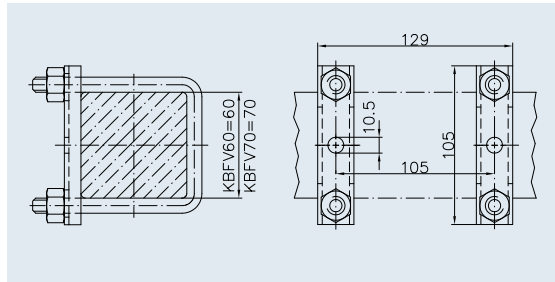
<b>SAP: BINDER SUPPORT KBF 60 ROUND</b>	
<b>Binder support KBF 60</b>	
<b>Part No.</b>	1860688
<b>Stationary nose load</b>	max. 250 kg
	0.71 kg
	EWP 2,000 / GiBo 2,000
	12



<b>SAP: BINDER SUPPORT KBF 70 ROUND</b>	
<b>Binder support KBF 70</b>	
<b>Part No.</b>	1860690
<b>Stationary nose load</b>	max. 250 kg
	0.71 kg
	EWP 2,000 / GiBo 2,000
	12



**KBFV 60/70**



<b>SAP: BINDER SUPPORT KBFV 60 SQUARE</b>	
<b>Binder support KBFV 60</b>	
<b>Part No.</b>	1860689
<b>Stationary nose load</b>	max. 250 kg
	0.55 kg
	EWP 2,000 / GiBo 2,000
	12



<b>SAP: BINDER SUPPORT KBFV 70 SQUARE</b>	
<b>Binder support KBFV 70</b>	
<b>Part No.</b>	1860691
<b>Stationary nose load</b>	max. 250 kg
	0.55 kg
	EWP 2,000 / GiBo 2,000
	12

**Securing system BS-KLE 48**  
secures jockey wheel ST 48 while driving.



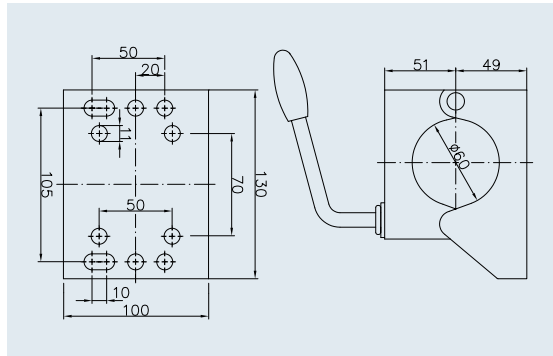
<b>SAP: JOCKEY WHEEL LOSS PREVENTION 48MM</b>	
<b>Securing system BS-KLE 48</b>	
<b>Part No.</b>	1860693
	0.13 kg
	EWP 1000 / GiBo 1000
	12





# ACCESSORIES FOR JOCKEY WHEELS

Bracket, Ø 60 mm, max. 500 kg



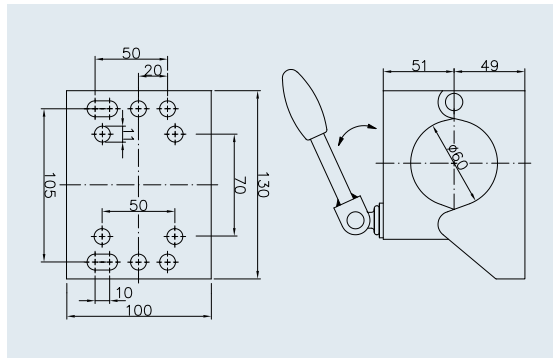
Zn







<b>SAP: CLAMP KLE 60</b>	
<b>Bracket KLE 60</b>	
<b>Part No.</b>	1861428
<b>Stationary nose load</b>	max. 500 kg
<b>Base plate</b>	Steel
<b>Connection</b>	10-hole
	1.56 kg
 	EWP 200 / GiBo 200
	12



Zn

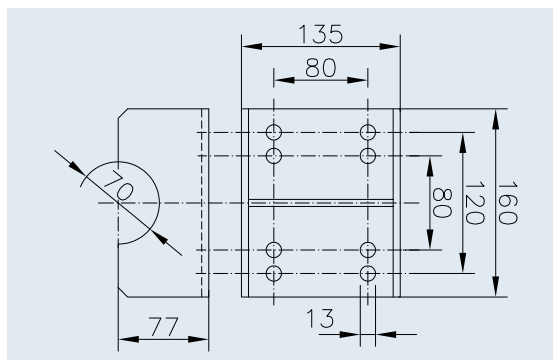






<b>SAP: CLAMP KLE 60-KK</b>	
<b>Bracket KLE 60-KK</b>	
<b>Part No.</b>	1861429
<b>Stationary nose load</b>	max. 500 kg
<b>Base plate</b>	Steel
<b>Connection</b>	10-hole
	1.57 kg
 	EWP 200 / GiBo 200
	12

Fastening for outside tube Ø 70 mm



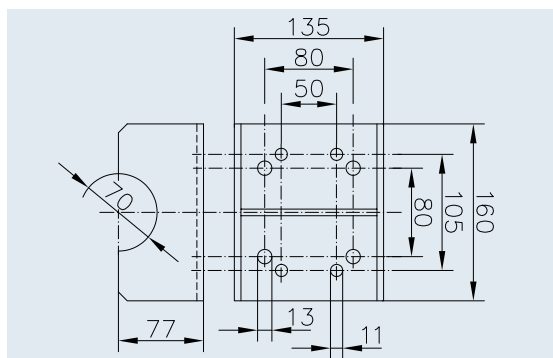
Zn



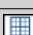



<b>SAP: KLE 70 CROSSPIECE WELDED RAW</b>	
<b>Bracket KLE 70</b>	
<b>Part No.</b>	1860694
<b>Base plate</b>	Steel
<b>Connection</b>	8-hole
	3.26 kg
 	EWP 150 / GiBo 150
	12



Zn



<b>SAP: BRACKET KLE 70-105x50</b>	
<b>Bracket KLE 70-105x50</b>	
<b>Part No.</b>	1861028
<b>Base plate</b>	Steel
<b>Connection</b>	8-hole
	3.26 kg
 	EWP 150 / GiBo 150
	12

# ACCESSORIES FOR JOCKEY WHEELS

## Spare wheels



<b>SAP: WHEEL 160 V</b>	
<b>Wheel 160 V</b>	
<b>Part No.</b>	1860592
<b>Wheel</b>	160 x 40 mm rubber
<b>Rim</b>	Plastic
<b>Hub</b>	Ø 20 x 58 mm
<b>Load when parked</b>	75 kg
	0.35 kg
	EWP 525 / GiBo 525
	12



<b>SAP: WHEEL 200X 50 SOLID RUBBER 200FK</b>	
<b>Wheel 200 V</b>	
<b>Part No.</b>	294364
<b>Wheel</b>	200 x 50 mm solid rubber
<b>Rim</b>	Plastic
<b>Hub</b>	Ø 20 x 58 mm
<b>Load when parked</b>	200 kg
	1.26 kg
	EWP 630 / GiBo 500
	12



<b>SAP: WHEEL 200 VB 200X 50 SOLID RUBBER</b>	
<b>Wheel 200 VB</b>	
<b>Part No.</b>	294365
<b>Wheel</b>	200 x 50 mm solid rubber
<b>Rim</b>	Steel
<b>Hub</b>	Ø 20 x 58 mm
<b>Load when parked</b>	200 kg
	1.45 kg
	EWP 500 / GiBo 500
	12



<b>SAP: WHEEL 200 VBB</b>	
<b>Wheel 200 VBB</b>	
<b>Part No.</b>	1860506
<b>Wheel</b>	200 x 60 mm solid rubber
<b>Rim</b>	Steel
<b>Hub</b>	Ø 20 x 58 mm
<b>Load when parked</b>	250 kg
	1.77 kg
	EWP 500 / GiBo 400
	12



<b>SAP: WHEEL 255 S 225X 70 SOLID RUBBER</b>	
<b>Wheel 255 S</b>	
<b>Part No.</b>	1223374
<b>Wheel</b>	225 x 70 mm solid rubber
<b>Rim</b>	Plastic
<b>Hub</b>	Ø 20 x 88 mm
<b>Load when parked</b>	250 kg
	1.93 kg
	EWP 200 / GiBo 200
	12






<b>SAP: WHEEL 255 SB 225X70 SOLID RUB ST RIM</b>	
<b>Wheel 255 SB</b>	
<b>Part No.</b>	1223522
<b>Wheel</b>	225 x 70 mm solid rubber
<b>Rim</b>	Steel
<b>Hub</b>	Ø 20 x 88 mm
<b>Load when parked</b>	400 kg
	2.23 kg
	EWP 200 / GiBo 200
	12




# ACCESSORIES FOR JOCKEY WHEELS

## Spare wheels






SAP: WHEEL 215X 65 PLASTIC	
<b>Wheel 240 S</b>	
<b>Part No.</b>	1211567
<b>Wheel</b>	215 x 70 mm, plastic
<b>Rim</b>	Plastic
<b>Hub</b>	Ø 20 x 88 mm
<b>Load when parked</b>	150 kg
	0.91 kg
	EWP 200 / GiBo 200
	12






SAP: WHEEL 255 VB	
<b>Wheel 255 VB</b>	
<b>Part No.</b>	1860512
<b>Wheel</b>	255 x 80 mm solid rubber
<b>Rim</b>	Steel
<b>Hub</b>	Ø 20 x 88 mm
<b>Load when parked</b>	500 kg
	3.81 kg
	EWP 180 / GiBo 180
	12






SAP: WHEEL 260 LB	
<b>Wheel 260 LB</b>	
<b>Part No.</b>	1860594
<b>Wheel</b>	260 x 85 mm, air
<b>Rim</b>	Steel
<b>Hub</b>	Ø 20 x 88 mm
<b>Load when parked</b>	200 kg
	1.18 kg
	EWP 110 / GiBo 130
	12






SAP: WHEEL 400 VBR	
<b>Wheel 400 VBR</b>	
<b>Part No.</b>	1860518
<b>Wheel</b>	400 x 60 mm solid rubber
<b>Rim</b>	Steel
<b>Hub</b>	Ø 25 x 88 mm
<b>Load when parked</b>	500 kg
	7.50 kg
	EWP 50 / GiBo 50
	12



SAP: WHEEL 250 VBR	
<b>Wheel 250 VBR</b>	
<b>Part No.</b>	1860509
<b>Wheel</b>	250 x 60 mm solid rubber
<b>Rim</b>	Steel
<b>Hub</b>	Ø 25 x 75 mm
<b>Load when parked</b>	400 kg
	3.51 kg
	EWP 150 / GiBo 150
	12

## Spare parts for jockey wheels ST, K and VK



SAP: PREMIUM CAP WW BLACK	
<b>PREMIUM CAP crank cover</b>	
<b>Part No.</b>	1860473 (W 6350)
<b>suitable for</b>	ST 60, ST 60-V, K 60, VK 60
	0.04 kg
	–
	12

# SUPPORTS

## Supports are used in a wide variety of applications

Our very wide range of products and functions will leave you spoilt for choice. To make the choice easier, the following symbols specify the product group, additional uses and product features.



**Long design**  
More adjustment range



**Push-on crank**  
Operation with hexagon



**Pivoting**  
Pivoting to save space



**Galvanised**  
Standard corrosion protection



**Top crank**  
Operation with top crank



**Height adjustment**  
Additional manual height adjustment by ratchet



**Hot-dip galvanised**  
High-quality corrosion protection



**Side crank**  
Operation with side crank



## BASIC PRODUCT LINE

The **BASIC** products are entirely solid and robust. They are characterised by very good processing properties for the respective area of use, and are essential in day-to-day trailer use, as they fulfil the basic needs of the trailer users. We ensure that these Basic variants also meet our high quality standards and exceed the legal minimum requirements.



## PLUS PRODUCT LINE

The products from the **PLUS** category impress with high-quality workmanship, reliability, high-quality materials and long service life. Their high stability and clever technical details meet the increased demands of day-to-day work with trailers. All products have extended functions and are nevertheless user-friendly and have an attractive design.



## PREMIUM PROFI PRODUCT LINE

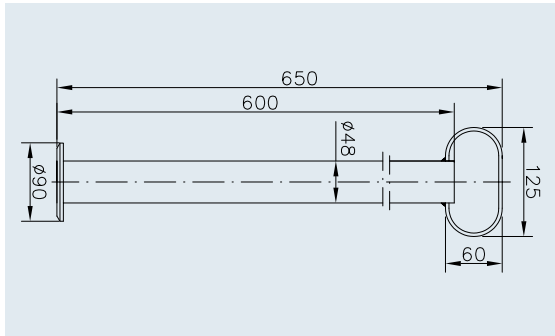
**PREMIUM PROFI** products are characterised by trailblazing design, sophisticated functions and top quality. They are innovative and traditional products for the highest demands and challenging areas of application. They are the gold standard in terms of processing, material and design. Their longevity ensures that you will have many years of joy with these products.





# STEADY LEGS RIGID

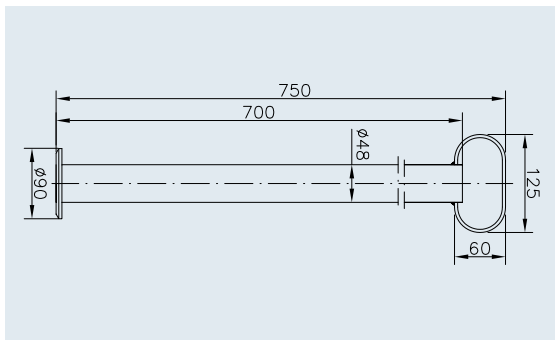
max. 150 kg



SAP: SUPPORT RSR 48-600

Steady leg RSR 48-600

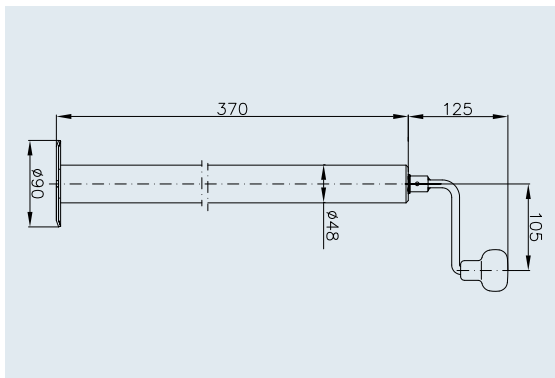
Part No.	1860860
Stationary nose load	max. 150 kg
	2.07 kg
	EWP 250 / GiBo 250
	12



SAP: SUPPORT RSR 48-700

Steady leg RSR 48-700

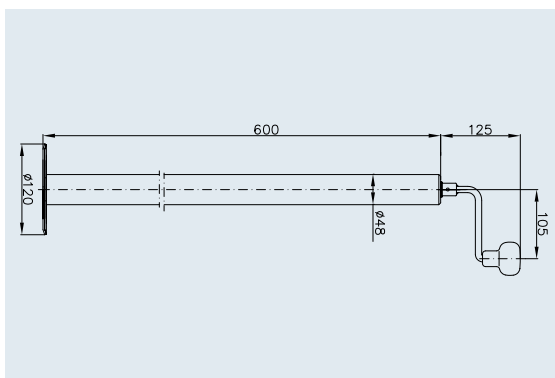
Part No.	1860863
Stationary nose load	max. 150 kg
	2.26 kg
	EWP 250 / GiBo 250
	12



SAP: SUPPORT SPINDLE ST 48-90

Steady leg ST 48-90

Part No.	1860716
Stationary nose load	max. 150 kg
Extended length	220 mm
	3.00 kg
	EWP 250 / GiBo 250
	12



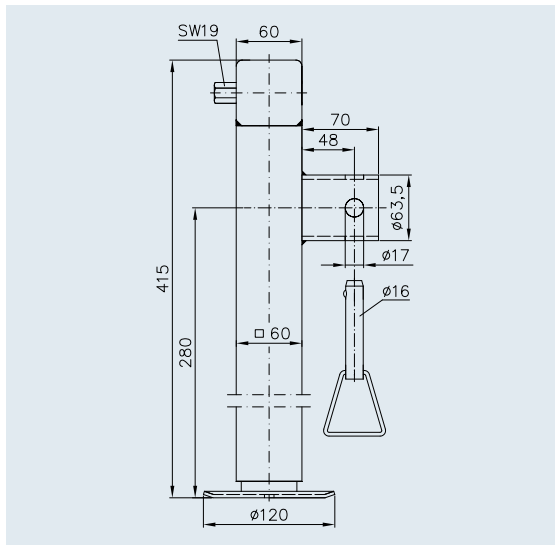
SAP: SUPPORT SPINDLE ST 48-120

Steady leg ST 48-120

Part No.	1860717
Stationary nose load	max. 150 kg
Extended length	220 mm
	3.99 kg
	EWP 100 / GiBo 100
	12

# STEADY LEGS, PIVOTING

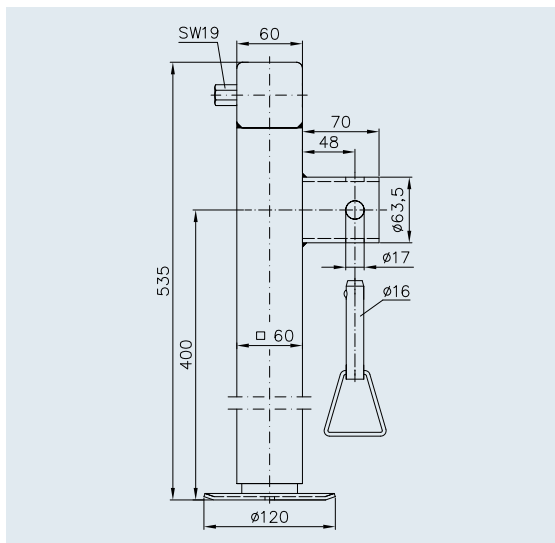
max. 1,300 kg



**SAP:** STEADY LEG SPNDL SF 60-19-280 NO CRANK

**Steady leg SF 60-19-280**

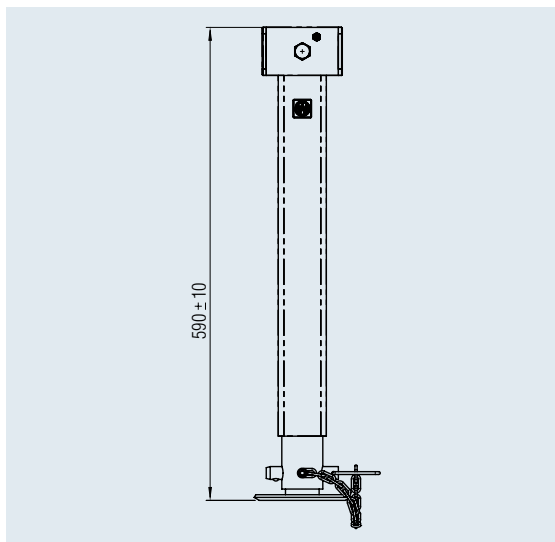
<b>Part No.</b>	1731091
<b>Stationary nose load</b>	max. 1,300 kg
<b>Extended length</b>	240 mm
	6.25 kg
	EWP 100 / GiBo 100
	12



**SAP:** SUPPORT SPINDLE SF 60-19-400 NO CRANK

**Steady leg SF 60-19-400**

<b>Part No.</b>	1860727
<b>Stationary nose load</b>	max. 1,300 kg
<b>Extended length</b>	365 mm
	7.75 kg
	EWP 100 / GiBo 100
	12



**SAP:** SUPPORT SPINDLE SF 60-19 T 400

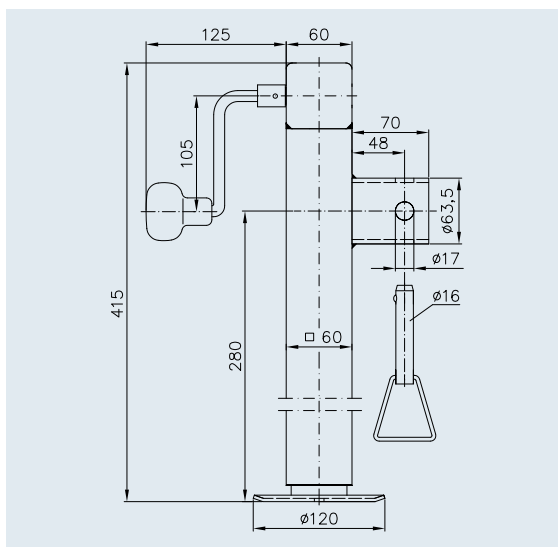
**Steady leg SF 60-19-T-400**

<b>Part No.</b>	1863473
<b>Stationary nose load</b>	max. 1,300 kg
<b>Extended length</b>	335 mm + 340 mm
	8.91 kg
	EWP 100 / GiBo 100
	12



# STEADY LEGS, PIVOTING

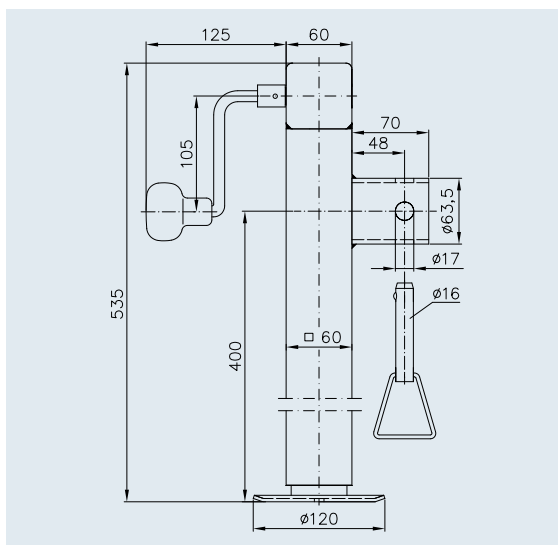
max. 1,300 kg



SAP: SUPPORT SPINDLE SF 60-280

Steady leg SF 60-280

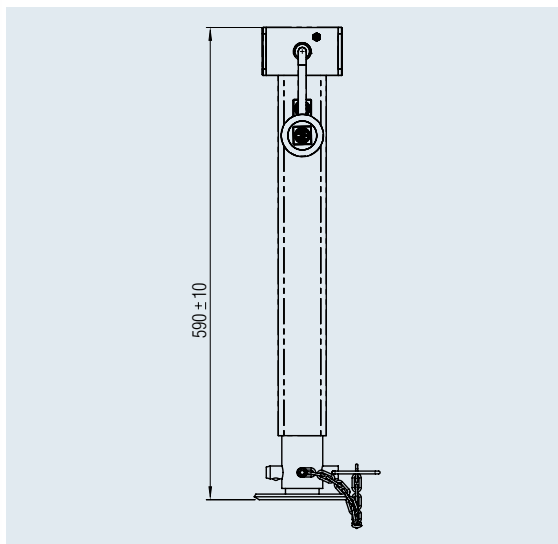
Part No.	1860720
Stationary nose load	max. 1,300 kg
Extended length	240 mm
	6.40 kg
	EWP 100 / GiBo 100
	12



SAP: SUPPORT SPINDLE SF 60-400

Steady leg SF 60-400

Part No.	1860726
Stationary nose load	max. 1,300 kg
Extended length	365 mm
	8.00 kg
	EWP 100 / GiBo 100
	12



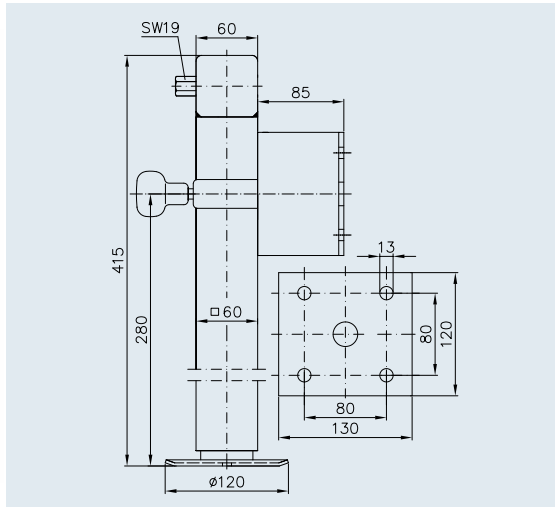
SAP: SUPPORT SPINDLE SF 60 T 400

Steady leg SF 60-T-400

Part No.	1863474
Stationary nose load	max. 1,300 kg
Extended length	335 mm + 340 mm
	9.27 kg
	EWP 100 / GiBo 100
	12

# STEADY LEGS, PIVOTING

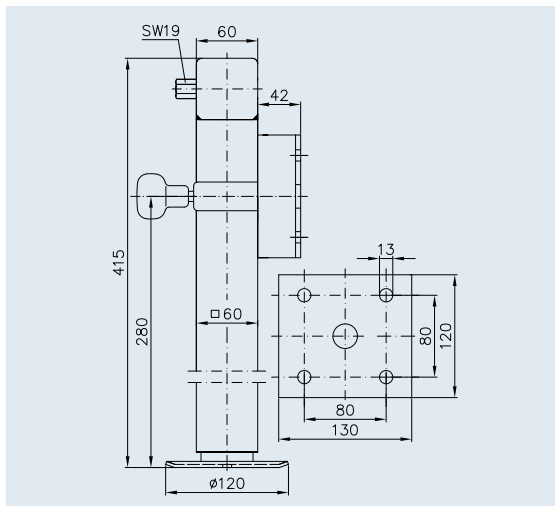
max. 1,300 kg



**SAP:** SUPPORT SPINDLE SF 60-D85-19-280+ADAP

**Steady leg SF 60-D85-19-280+ADAP**

<b>Part No.</b>	1860723
<b>Stationary nose load</b>	max. 1,300 kg
<b>Extended length</b>	240 mm
	7.70 kg
	EWP 80 / GiBo 80
	12

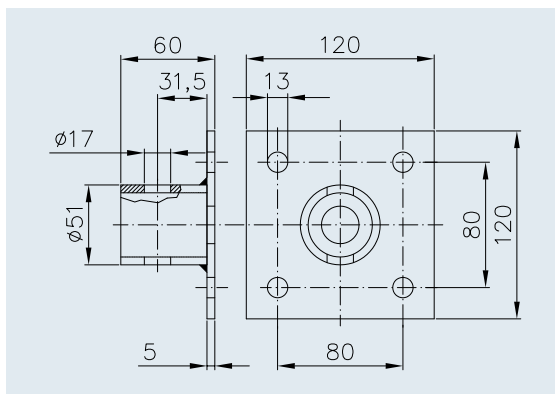


**SAP:** SUPPORT SPINDLE SF 60-D42-19-280+ADAP

**Steady leg SF 60-D42-19-280+ADAP**

<b>Part No.</b>	1860725
<b>Stationary nose load</b>	max. 1,300 kg
<b>Extended length</b>	240 mm
	7.31 kg
	EWP 80 / GiBo 80
	12

# ACCESSORIES



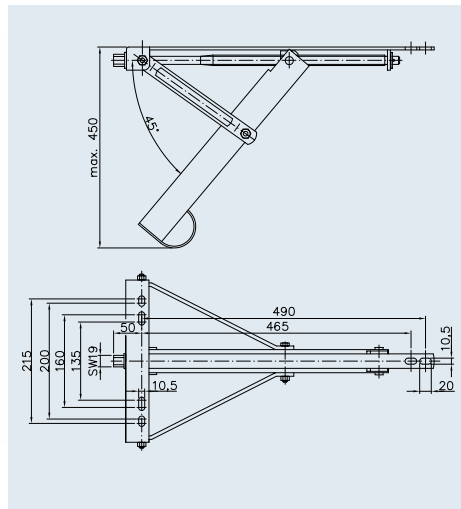
**SAP:** ADAPTER SF60

**Adapter ADAP SF 60**

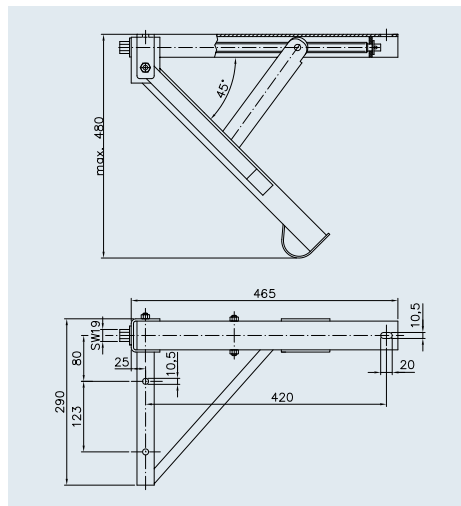
<b>Part No.</b>	1731092
	0.82 kg
	EWP 1,000 / GiBo 1,000
	12

# EXTENDABLE CORNER STEADIES

max. 1,800 – 2,000 kg

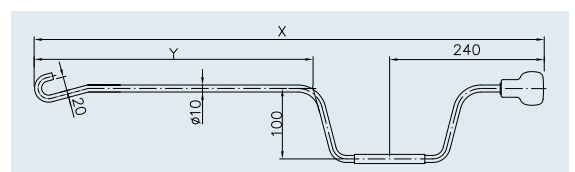


<b>SAP: SUPPORT SPINDLE ADS 460 V</b>	
<b>Extendable corner steady ADS 460 V</b>	
<b>Part No.</b>	1860696
<b>Stationary nose load</b>	max. 1,800 kg (with 4 pcs)
<b>Extended length</b>	450 mm
	4.57 kg
	EWP 100 / GiBo 100
	12



<b>SAP: SUPPORT SPINDL ADS 480</b>	
<b>Extendable corner steady ADS 480 VL / ADS 480 VR</b>	
<b>Part No. VL</b>	1860698
<b>Part No. VR</b>	1860699
<b>Stationary nose load</b>	max. 2,000 kg (with 4 pcs)
<b>Extended length</b>	480 mm
	6.72 kg
	EWP 75 / GiBo 75
	12

# ACCESSORIES



<b>Hand crank</b>	<b>Part No.</b>	<b>Dimension X</b>	<b>Dimension Y</b>				
<b>SAP: CRANK KPL HKB H</b>	1860555	615 mm	285 mm	0.51 kg	-	700	12

# HITCHES

## Hitches are used in a wide variety of applications

Our very wide range of products and functions will leave you spoilt for choice. To make the choice easier, the following symbols specify the product group, additional uses and product features.

- |   |   |  |
|---|---|--|
|  <p><b>Zn Galvanised</b><br/>Standard corrosion protection</p>         |  <p><b>No unsuccessful locking</b><br/>Protects against unsuccessful locking</p> |  <p><b>Maximum speed</b><br/>Higher theoretical maximum speed</p>             |
|  <p><b>Soft touch grip</b><br/>Prevents hands from slipping</p>        |  <p><b>Anti-swinging</b><br/>Cushions swinging movements</p>                     |  <p><b>Soft-dock option</b><br/>Protects the shin and rear of the vehicle</p> |
|  <p><b>Coupling indicator</b><br/>Indicator for correct coupling</p>   |  <p><b>Anti-pitching</b><br/>Cushions pitching movements</p>                     |  <p><b>Lock option</b><br/>Anti-theft device to prevent rapid access</p>      |
|  <p><b>Wear indicator</b><br/>Wear indicator for the coupling head</p> |  <p><b>Wear indicator</b><br/>Wear indicator for the friction linings</p>        |  |



## BASIC PRODUCT LINE

The **BASIC** products are entirely solid and robust. They are characterised by very good processing properties for the respective area of use, and are essential in day-to-day trailer use, as they fulfil the basic needs of the trailer users. We ensure that these Basic variants also meet our high quality standards and exceed the legal minimum requirements.



## PLUS PRODUCT LINE

The products from the **PLUS** category impress with high-quality workmanship, reliability, high-quality materials and long service life. Their high stability and clever technical details meet the increased demands of day-to-day work with trailers. All products have extended functions and are nevertheless user-friendly and have an attractive design.



## PREMIUM PROFI PRODUCT LINE

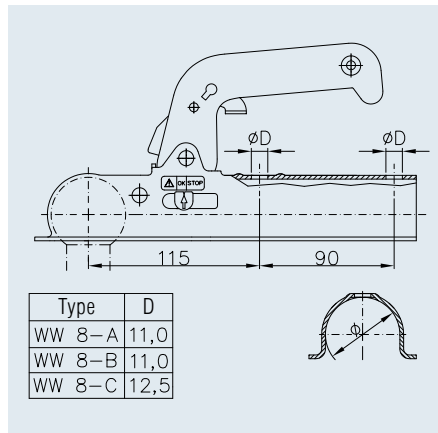
**PREMIUM PROFI** products are characterised by trailblazing design, sophisticated functions and top quality. They are innovative and traditional products for the highest demands and challenging areas of application. They are the gold standard in terms of processing, material and design. Their longevity ensures that you will have many years of joy with these products.

# COUPLING HEAD WW 8

for unbraked trailers up to 800 kg



**WW 8-C**



Optionally with holder (HAL)

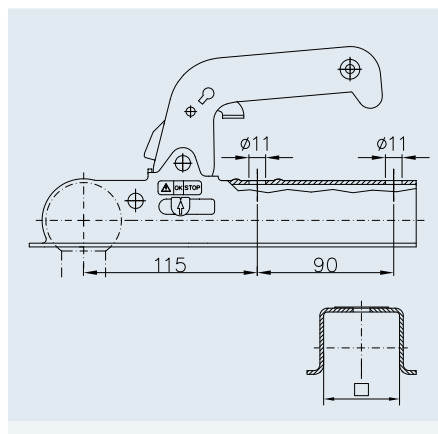
**ECE type approval no.:**

E1 55R-01 2211

SAP	Part no.	ALBE Berndes Reference type	Drawbar Ø	Perm. total weight	Nose load	D/Dc value	Material				
COUPLING HEAD WW 8-A	1860730	EM 80 R-E	50 mm	800 kg	75 kg	7.7 kN	Steel	1.23 kg	-	400	12
COUPLING HEAD WW 8-A+HOLDER	1860731	-	50 mm	800 kg	75 kg	7.7 kN	Steel	1.25 kg	-	400	12
COUPLING HEAD WW 8-B	1860732	EM 80 R-F	60 mm	800 kg	75 kg	7.7 kN	Steel	1.22 kg	-	400	12
COUPLING HEAD WW 8-B+HOLDER	1860733	-	60 mm	800 kg	75 kg	7.7 kN	Steel	1.24 kg	-	400	12
COUPLING HEAD WW 8-C	1860734	EM 80 R-GK	70 mm	800 kg	75 kg	7.7 kN	Steel	1.24 kg	-	400	12
COUPLING HEAD WW 8-C+HOLDER	1860735	-	70 mm	800 kg	75 kg	7.7 kN	Steel	1.26 kg	-	400	12



**WW 8-H**



Optionally with holder (HAL)

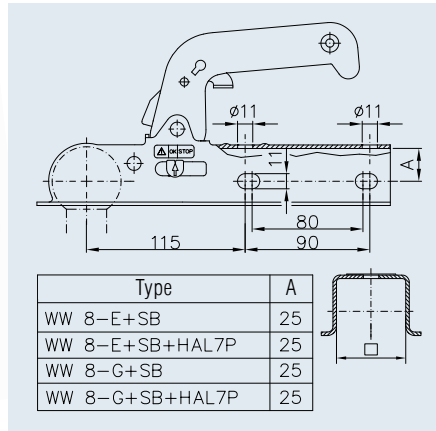
**ECE type approval no.:**

E1 55R-01 2211

SAP	Part no.	ALBE Berndes Reference type	Drawbar Ø	Perm. total weight	Nose load	D/Dc value	Material				
COUPLING HEAD WW 8-D30	1860736	-	30 mm	800 kg	75 kg	7.7 kN	Steel	1.27 kg	-	400	12
COUPLING HEAD WW 8-D40	1860737	-	40 mm	800 kg	75 kg	7.7 kN	Steel	1.27 kg	-	400	12
COUPLING HEAD WW 8-D45+HAL	1860739	-	45 mm	800 kg	75 kg	7.7 kN	Steel	1.29 kg	-	400	12
COUPLING HEAD WW 8-E	1860740	EM 80 V-E	50 mm	800 kg	75 kg	7.7 kN	Steel	1.25 kg	-	400	12
COUPLING HEAD WW 8-E+HAL	1860741	-	50 mm	800 kg	75 kg	7.7 kN	Steel	1.27 kg	-	400	12
COUPLING HEAD WW 8-G	1860742	EM 80 V-F	60 mm	800 kg	75 kg	7.7 kN	Steel	1.27 kg	-	400	12
COUPLING HEAD WW 8-G+HAL	1860743	-	60 mm	800 kg	75 kg	7.7 kN	Steel	1.29 kg	-	400	12
COUPLING HEAD WW 8-H	1860744	EM 80 V-G	70 mm	800 kg	75 kg	7.7 kN	Steel	1.31 kg	-	400	12
COUPLING HEAD WW 8-H+HAL	1860745	-	70 mm	800 kg	75 kg	7.7 kN	Steel	1.33 kg	-	400	12

# COUPLING HEAD WW 8

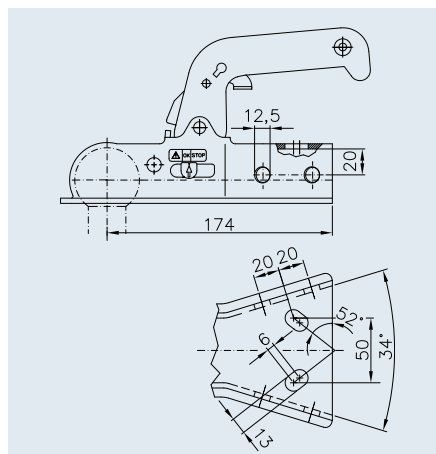
for unbraked trailers up to 800 kg



Optionally with holder (HAL)

**ECE type approval no.:**  
E1 55R-01 2211

SAP	Part no.	ALBE Berndes Reference type	Drawbar Ø	Ball Ø	Perm. total weight	Nose load	D/Dc value	Material				
COUPLING HEAD WW 8-E+SB	1860748	–	50 mm	50 mm	800 kg	75 kg	7.7 kN	Steel	1.25 kg	–	400	12
COUPLING HEAD WW 8-E+SB+HAL	1860749	–	50 mm	50 mm	800 kg	75 kg	7.7 kN	Steel	1.27 kg	–	400	12
COUPLING HEAD WW 8-G+SB	1860747	EM 80 V-F+SB	60 mm	50 mm	800 kg	75 kg	7.7 kN	Steel	1.27 kg	–	400	12
COUPLING HEAD WW 8-G+SB+HAL	1860746	–	60 mm	50 mm	800 kg	75 kg	7.7 kN	Steel	1.29 kg	–	400	12



Incl. Holder (HAL)

**ECE type approval no.:**  
E1 55R-01 2211

SAP	Part no.	ALBE Berndes Reference type	Drawbar	Ball Ø	Perm. total weight	Nose load	D/Dc value	Material				
COUPLING HEAD WW 8-Y+HAL	1860750	–	V-drawbar	50 mm	800 kg	75 kg	7.7 kN	Steel	1.49 kg	–	400	12

**NOTICE:** Vertical screw connections (i.e. from above) require the use of the **reinforcing plate 1861465!**

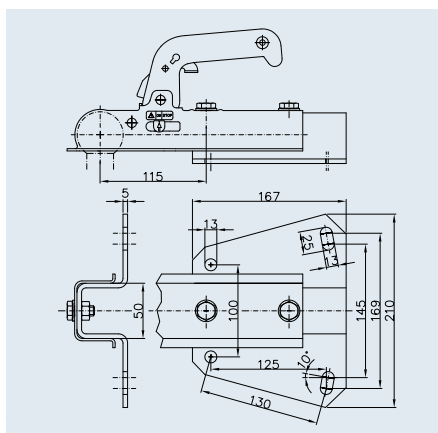


# COUPLING HEAD WW 8

for unbraked trailers up to 800 kg



**WW 8-E + V-ADAPTER**



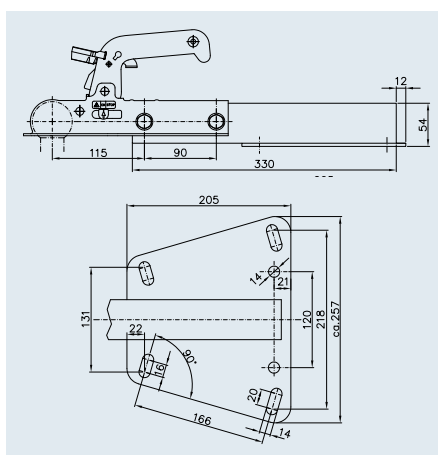
Optionally with holder (HAL)

**ECE type approval no.:**  
E1 55R-01 2211

SAP	Part no.	ALBE Berndes Reference type	Drawbar	Ball Ø	Perm. total weight	Nose load	D/Dc value	Material				
COUPLING HEAD WW 8-E +V-ADAPTER+HAL	1860752	—	V-drawbar	50 mm	800 kg	75 kg	7.7 kN	Steel	3.05 kg	—	200	12



**WW 8-E + SB + VL-ADAP + HAL**



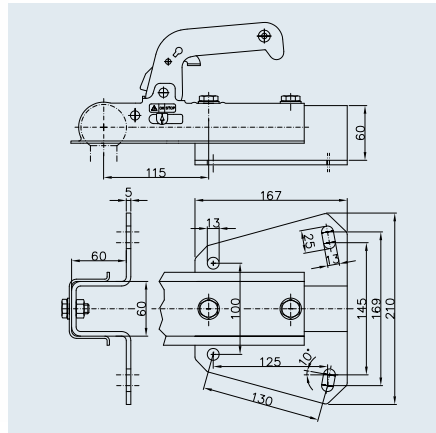
Incl. Holder (HAL)

**ECE type approval no.:**  
E1 55R-01 2211

SAP	Part no.	ALBE Berndes Reference type	Drawbar	Ball Ø	Perm. total weight	Nose load	D/Dc value	Material				
COUPLING HEAD WW 8-E +VL-ADAP+HAL	1860751	—	V-drawbar	50 mm	800 kg	75 kg	7.7 kN	Steel	3.78 kg	—	100	12

# COUPLING HEAD WW 150

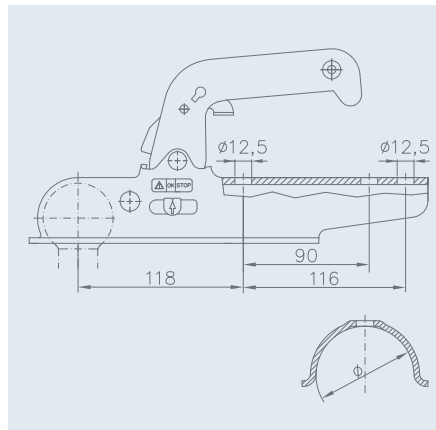
for unbraked trailers up to 1,500 kg



Optionally with holder (HAL)

**ECE type approval no.:**  
E1 55R-01 2009

SAP	Part no.	ALBE Berndes Reference type	Drawbar	Ball Ø	Perm. total weight	Nose load	D/Dc value	Material				
COUPLING HEAD WW 150-VF+V-ADAPTER	1860764	–	V-drawbar	50 mm	1,500 kg	100 kg	14.1 kN	Steel	3.78 kg	–	200	12



Optionally with holder (HAL)

**ECE type approval no.:**  
E1 55R-01 0376

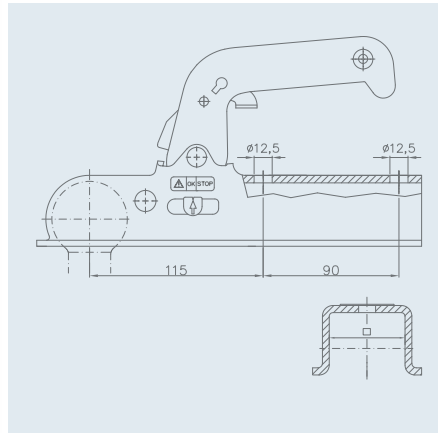
SAP	Part no.	ALBE Berndes Reference type	Drawbar Ø	Ball Ø	Perm. total weight	Nose load	D/Dc value	Material				
COUPLING HEAD WW 150-RG	1860761	EM 150 R-G	70 mm	50 mm	1,500 kg	100 kg	14.1 kN	Steel	1.69 kg	–	400	12

# COUPLING HEAD WW 150

for unbraked trailers up to 1,500 kg



**WW 150-VF**



Optionally with holder (HAL)

**ECE type approval no.:**

E1 55R-01 0434

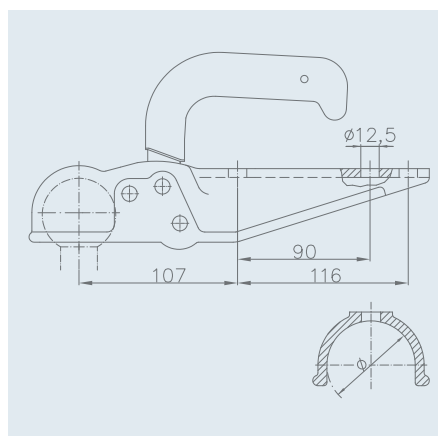
SAP	Part no.	ALBE Berndes Reference type	Drawbar Ø	Ball Ø	Perm. total weight	Nose load	D/Dc value	Material				
COUPLING HEAD WW 150-VF+HAL	1860762	EM 150 V-F+HAL7	60 mm	50 mm	1,500 kg	100 kg	14.1 kN	Steel	1.74 kg	-	400	12
COUPLING HEAD WW 150-VF	1860763	EM 150 V-F	60 mm	50 mm	1,500 kg	100 kg	14.1 kN	Steel	1.74 kg	-	400	12
COUPLING HEAD WW 150-VG	1860765	EM 150 V-G	70 mm	50 mm	1,500 kg	100 kg	14.1 kN	Steel	1.74 kg	-	400	12
COUPLING HEAD WW 150-VG+HAL	1860766	EM 150 V-G+HAL7	70 mm	50 mm	1,500 kg	100 kg	14.1 kN	Steel	1.74 kg	-	400	12

# COUPLING HEAD WW 20

for unbraked trailers up to 2,000 kg



**WW 20-F2**



**ECE type approval no.:**

E1 55R-01 2251

SAP	Part no.	ALBE Berndes Reference type	Drawbar Ø	Ball Ø	Perm. total weight	Nose load	D/Dc value	Material				
COUPLING HEAD WW 20-F1	1860790	-	60 mm	50 mm	2,000 kg	100 kg	18.5 kN	Cast iron	1.69 kg	300	350	12
COUPLING HEAD WW 20-F2	1860791	-	70 mm	50 mm	2,000 kg	100 kg	18.5 kN	Cast iron	1.69 kg	300	350	12

# COUPLING HEAD WW 200

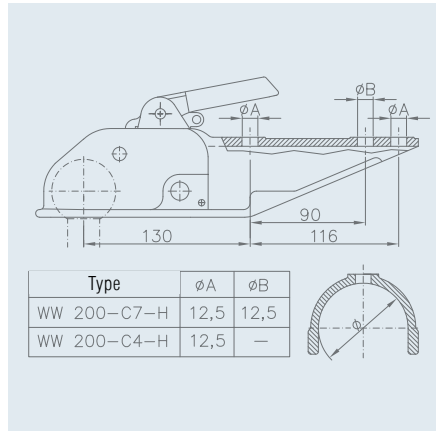
for unbraked trailers up to 3,000 kg



Hole for commercial shackle lock



**WW 200-C7-H**



**ECE type approval no.:**  
E1 55R-01 0338

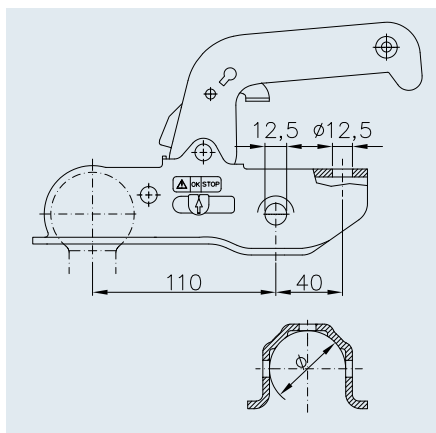
SAP	Part no.	ALBE Berndes Reference type	Drawbar $\emptyset$	Ball $\emptyset$	Perm. total weight	Nose load	D/Dc value	Material				
COUPLING HEAD WW 200-C7-H	1860792	—	70 mm	50 mm	3,000 kg	150 kg	27.0 kN	Cast iron	3.38 kg	250	300	12
COUPLING HEAD WW 200-C4-H	1860793	—	80 mm	50 mm	3,000 kg	150 kg	27.0 kN	Cast iron	3.65 kg	250	300	12

# COUPLING HEAD WW 13 / WW 150

for braked trailers up to 1,500 kg



**WW 13-N**



**ECE type approval no.:**  
1) E1 55R-01 1086  
2) E1 55R-01 0376

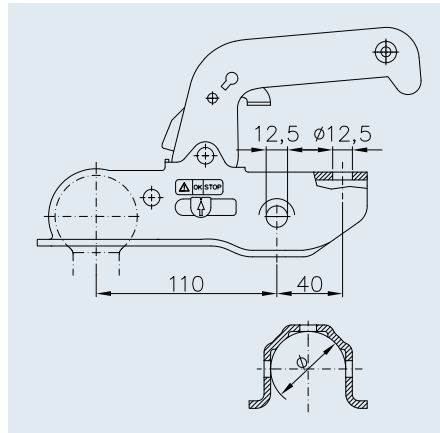
SAP	Part no.	ALBE Berndes Reference type	Drawbar $\emptyset$	Ball $\emptyset$	Perm. total weight	Nose load	D/Dc value	Material				
COUPLING HEAD WW 13-N <sup>1)</sup>	1860759	EM 150 R-A	45–46 mm	50 mm	1,500 kg	100 kg	14.1 kN	Steel	1.36 kg	—	400	12
COUPLING HEAD WW 150-RB <sup>2)</sup>	1860760	EM 150 R-B	50–51 mm	50 mm	1,500 kg	100 kg	14.1 kN	Steel	1.41 kg	—	400	12

# COUPLING HEAD WW 220

for braked trailers up to 2,200 kg



WW 220-RA



ECE type approval no.:  
E1 55R-01 0399

SAP	Part no.	ALBE Berndes Reference type	Drawbar Ø	Ball Ø	Perm. total weight	Nose load	D/Dc value	Material				
COUPLING HEAD WW 220 R-A	1861584	EM 220 R-A	45–46 mm	50 mm	2,200 kg	100 kg	20.2 kN	Steel	1.77 kg	–	400	12
COUPLING HEAD WW 220 R-B	1861585	EM 220 R-B	50–51 mm	50 mm	2,200 kg	100 kg	20.2 kN	Steel	1.77 kg	–	400	12

# COUPLING HEAD WW 200

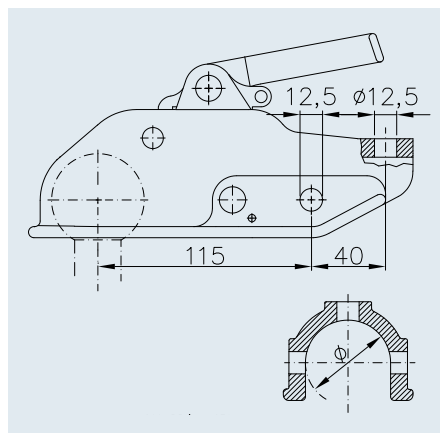
for braked trailers up to 3,000 kg



Hole for commercial shackle lock



WW 200-B3-H



ECE type approval no.:  
E1 55R-01 0338

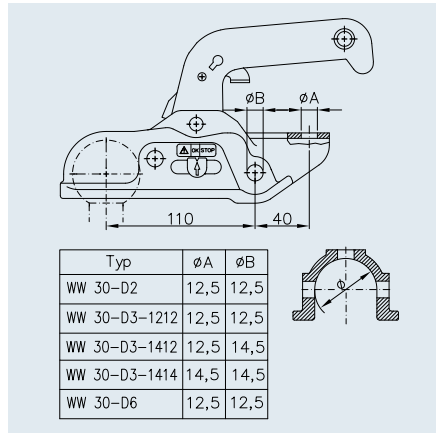
SAP	Part no.	ALBE Berndes Reference type	Drawbar Ø	Ball Ø	Perm. total weight	Nose load	D/Dc value	Material				
COUPLING HEAD WW 200-B3-H	1860812	–	45–46 mm	50 mm	3,000 kg	150 kg	27.0 kN	Cast iron	2.98 kg	300	350	12
COUPLING HEAD WW 200-B5-H	1860813	–	50–51 mm	50 mm	3,000 kg	150 kg	27.0 kN	Cast iron	3.24 kg	300	350	12

# COUPLING HEAD WW 30

for braked trailers up to 3,000 kg



**WW 30-D2**



**ECE type approval no.:**  
E1 55R-01 0640

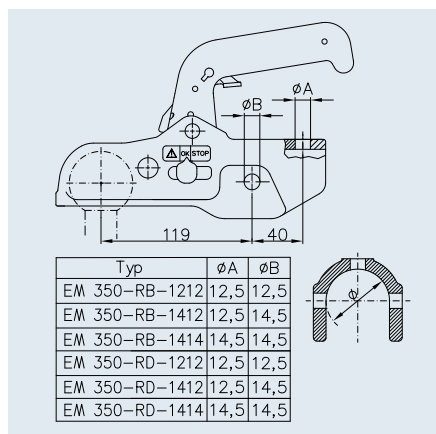
SAP	Part no.	ALBE Berndes Reference type	Drawbar Ø	Ball Ø	Perm. total weight	Nose load	D/Dc value	Material				
COUPLING HEAD WW 30-D2-K1212	1860795	–	45–46 mm	50 mm	3,000 kg	150 kg	27.0 kN	Cast iron	2.36 kg	–	400	12
COUPLING HEAD WW 30-D3-K1212	1860798	–	50–51 mm	50 mm	3,000 kg	150 kg	27.0 kN	Cast iron	2.38 kg	–	400	12
COUPLING HEAD WW 30-D3-K1412	1860799	EM 300 R-B-K1412	50–51 mm	50 mm	3,000 kg	150 kg	27.0 kN	Cast iron	2.38 kg	–	400	12
COUPLING HEAD WW 30-D3-K1414	1860800	EM 300 R-B-K1414	50–51 mm	50 mm	3,000 kg	150 kg	27.0 kN	Cast iron	2.38 kg	–	400	12
COUPLING HEAD WW 30-D6-K1212	1860802	–	60 mm	50 mm	3,000 kg	150 kg	27.0 kN	Cast iron	2.42 kg	–	400	12

# COUPLING HEAD WW 350

for braked trailers up to 3,000 kg



**WW 350-RB**



**ECE type approval no.:**  
E1 55R-01 0380

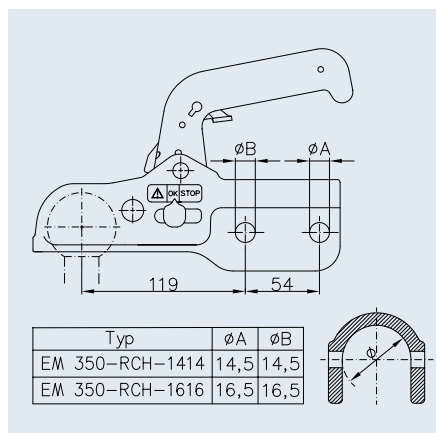
SAP	Part no.	ALBE Berndes Reference type	Drawbar Ø	Ball Ø	Perm. total weight	Nose load	D/Dc value	Material				
COUPLING HEAD WW 350-RB-K1212	1860803	EM 350 R-B-K1212	50 mm	50 mm	3,500 kg	200 kg	31.0 kN	Cast iron	3.40 kg	–	400	12
COUPLING HEAD WW 350-RB-K1412	1860804	EM 350 R-B-K1412	50 mm	50 mm	3,500 kg	200 kg	31.0 kN	Cast iron	3.40 kg	–	400	12
COUPLING HEAD WW 350-RB-K1414	1860805	EM 350 R-B-K1414	50 mm	50 mm	3,500 kg	200 kg	31.0 kN	Cast iron	3.40 kg	–	400	12
COUPLING HEAD WW 350-RD-K1212	1860806	EM 350 R-D-K1212	65 mm	50 mm	3,500 kg	200 kg	31.0 kN	Cast iron	3.54 kg	–	400	12
COUPLING HEAD WW 350-RD-K1412	1860807	EM 350 R-D-K1412	65 mm	50 mm	3,500 kg	200 kg	31.0 kN	Cast iron	3.54 kg	–	400	12
COUPLING HEAD WW 350-RD-K1414	1860808	EM 350 R-D-K1414	65 mm	50 mm	3,500 kg	200 kg	31.0 kN	Cast iron	3.54 kg	–	400	12

# COUPLING HEAD WW 350

for braked trailers up to 3,500 kg



**WW 350-RCH**



**ECE type approval no.:**  
E1 55R-01 0380

SAP	Part no.	ALBE Berdes Reference type	Drawbar Ø	Ball Ø	Perm. total weight	Nose load	D/Dc value	Material				
COUPLING HEAD WW 350-RC-H1414	1860809	EM 350 R-C-H1414	60 mm	50 mm	3,500 kg	200 kg	31.0 kN	Cast iron	3.70 kg	-	400	12
COUPLING HEAD WW 350-RC-H1616	1860810	EM 350 R-C-H1616	60 mm	50 mm	3,500 kg	200 kg	31.0 kN	Cast iron	3.70 kg	-	400	12

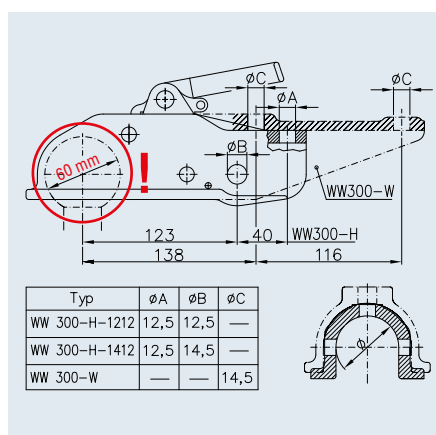
# SPECIAL COUPLING HEAD WW 300

Ball Ø 60 mm, for braked trailers up to 3,500 kg

Hole for commercial shackle lock



**WW 300-H**



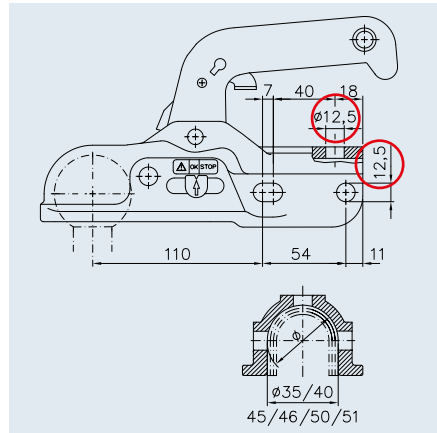
**Notice!**  
Special coupling head only suitable for Ø 60 mm balls. This coupling head must not be used with standard Ø 50 mm balls.

**ECE type approval no.:**  
E1 55R-01 1242

SAP	Part no.	ALBE Berdes Reference type	Drawbar Ø	Ball Ø	Perm. total weight	Nose load	D/Dc value	Material				
COUPLING HEAD WW 300-H-1212-D60 KUG60	1860814	—	50 mm	60 mm	3,500 kg	150 kg	31.0 kN	Cast iron	3.48 kg	300	350	12
COUPLING HEAD WW 300-H-1412-D60 KUG60	1860815	—	50 mm	60 mm	3,500 kg	150 kg	31.0 kN	Cast iron	3.48 kg	300	350	12

# COUPLING HEAD WW 30-K+Z

universal, for braked trailers up to 3,000 kg



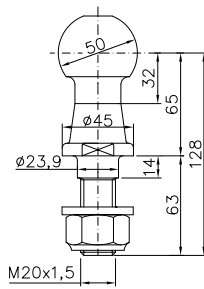
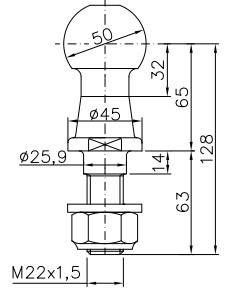
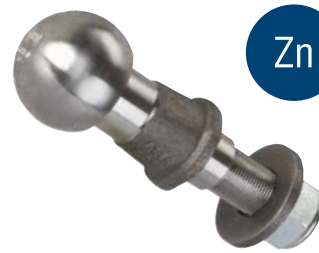
**ECE type approval no.:**  
E1 55R-01 0640

SAP	Part no.	ALBE Berndes Reference type	Drawbar Ø	Ball Ø	Perm. total weight	Nose load	D/Dc value	Material				
COUPLING HEAD WW 30-K+Z	1860801	–	35-40-45-46-50-51 mm	50 mm	3,000 kg	150 kg	27.0 kN	Cast iron	3.60 kg	–	170	12





# COUPLING


**KUB 50-2000 KG**

**KUB 50-3500 KG**

	Part No.	Towable load	Ball Ø	D/Dc value				
KUB 50-2000 KG <sup>1)</sup>	1860521	2,000 kg	50 mm	18.5 kN	1.11 kg	1,000	–	12
KUB 50-3500 KG <sup>2)</sup>	1860712	3,500 kg	50 mm	31.0 kN	1.11 kg	1,000	–	12

<sup>1)</sup> ECE R55 no. 55R-011525 E1    <sup>2)</sup> ECE R55 no. 55R-010809 E1

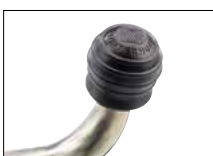
# ACCESSORIES

## Accessories for coupling head



	Part No.	suitable for				
7 – 13-pin plug holder, plastic	1860545	WW 8, WW 13, WW 150, WW 220, WW 30	0.02 kg	–	1,000	12
7–13-pin plug holder, sheet metal	1860544	universal usage	0.04 kg	–	1,000	12

## BALL CAP



	Part No.	Contents	suitable for				
BALL CAP	1860484	1 pc	universal usage	0.06 kg	3,000	–	12
BALL CAP-K24	1860685	24 pcs per box	universal usage	1.40 kg	24	–	12

# COUPLING HEAD WS 3000 / WS 3500

with anti-sway damping, for braked trailers up to 3,500 kg

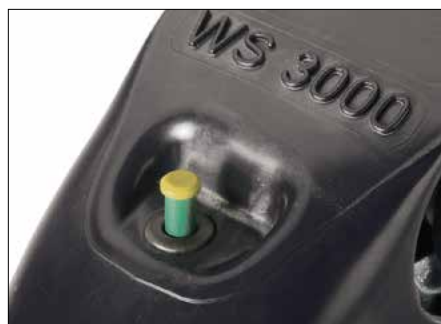


WS 3000 = 3,000 kg  
WS 3500 = 3,500 kg

Specially developed friction elements are pressed axially under high spring pressure against the towball of the car, giving the vehicle combination enormous stability. As a result, the critical speed at which a vehicle combination becomes unstable and starts to yaw is permanently increased by up to 30%. Your safety advantage! All WS 3000 / WS 3500 couplings fulfil the ISO 11555-1 standard and are therefore approved stabilisation devices for the 100 km/h regulation.



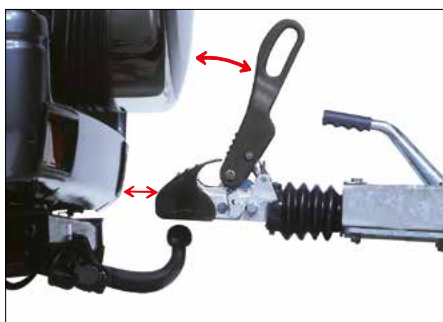
Single level system for all functions



Coupling indicator



Wear indicator



More free space to the rear of the vehicle



Full ball neck clearance

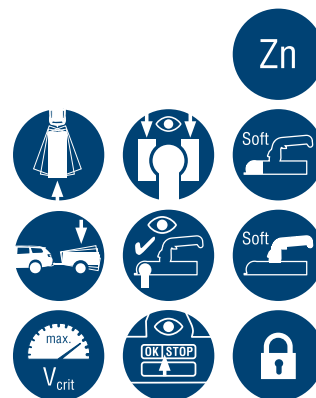


Maxi soft buffer

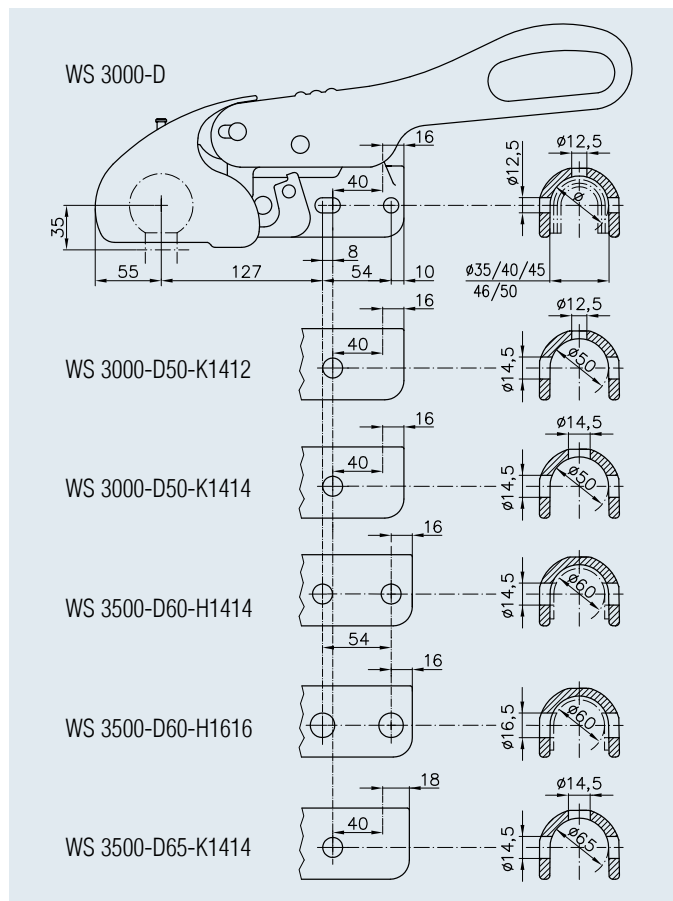


WS 3000 = 3,000 kg

WS 3500 = 3,500 kg



**WS 3000-D+Z**



**SAP:** COUPLING LOCK WS 3000-  
**SAP:** COUPLING LOCK WS 3500-

	Part No.	Drawbar Ø	Perm. total weight	Nose load	Ball Ø	D/Dc value				
WS 3000-D+Z <sup>1)</sup>	1860848	35-40-45-46-50 mm	3,000 kg	150 kg	50 mm	27.0 kN	5.80 kg	–	60	12
WS 3000-D50-K1412+Z <sup>1)</sup>	1860849	50 mm	3,000 kg	150 kg	50 mm	27.0 kN	5.80 kg	–	60	12
WS 3000-D50-K1414+Z <sup>1)</sup>	1860853	50 mm	3,000 kg	150 kg	50 mm	27.0 kN	5.80 kg	–	60	12
WS 3500-D60-H1414+Z <sup>2)</sup>	1860856	60 mm	3,500 kg	150 kg	50 mm	31.0 kN	6.20 kg	–	60	12
WS 3500-D60-H1616+Z <sup>2)</sup>	1860857	60 mm	3,500 kg	150 kg	50 mm	31.0 kN	6.20 kg	–	60	12
WS 3500-D65-60-K14+Z <sup>2)</sup>	1860859	65 mm	3,500 kg	150 kg	50 mm	31.0 kN	6.20 kg	–	60	12

<sup>1)</sup> ECE type approval no.: E1 55R-01 0065

<sup>2)</sup> ECE type approval no.: E1 55R-01 1941

# ANTI-THEFT DEVICES

## for coupling heads WS 3000 / WS 3500



Secures when trailer is coupled



Secures when trailer is uncoupled



Protects against rapid hitch removal

### ROBSTOP WS 3000



### SAFETY PACK WS



	Part No.	suitable for				
ANTI THEFT ROBSTOP WS 3000	1860170	WS 3000 from production date 08-2002	1.48 kg	–	500	12
COUPLING LOCK SAFETY PACK WS 3000	1860847	WS 3000 from production date 08-2002	7.19 kg	–	60	12

### ROBSTOP WS 3000 PLUS

Reinforced, hardened design with special lock cylinders and certificates.



### SAFETY PACK WS PLUS



	Part No.	suitable for	Certificates				
ANTI THEFT ROBSTOP WS 3000 PLUS	1860171	WS 3000 from production date 08-2002	SoldSecure Gold (GB), SCM (NL)	1.92 kg	–	500	12
ANTI THEFT ROBSTOP WS 3000 SSF	1860164	WS 3000 from production date 08-2002	SBSC (S)	2.03 kg	–	500	12
COUPLING LOCK SAFETY PACK WS 3000 PLUS	1861416	WS 3000 from production date 08-2002	SoldSecure Gold (GB), SCM (NL)	7.63 kg	–	60	12
ANTI THEFT ROBSTOP WS 3500 (not shown)	1860169	WS 3500	–	2.37 kg	–	400	12

# ANTI-THEFT DEVICES

for coupling heads







**SAFETY-BOX-K**



**SAFETY-BOX XL-K**



	Part No.	suitable for				
ANTI-THEFT SAFETY-BOX-K	1860174	universal usage	2.16 kg	–	150	12
ANTI-THEFT SAFETY-BOX XL-K	1860176	universal usage	2.10 kg	–	150	12

# ACCESSORIES



**DBS 8**







**DISKUS SAFETY**

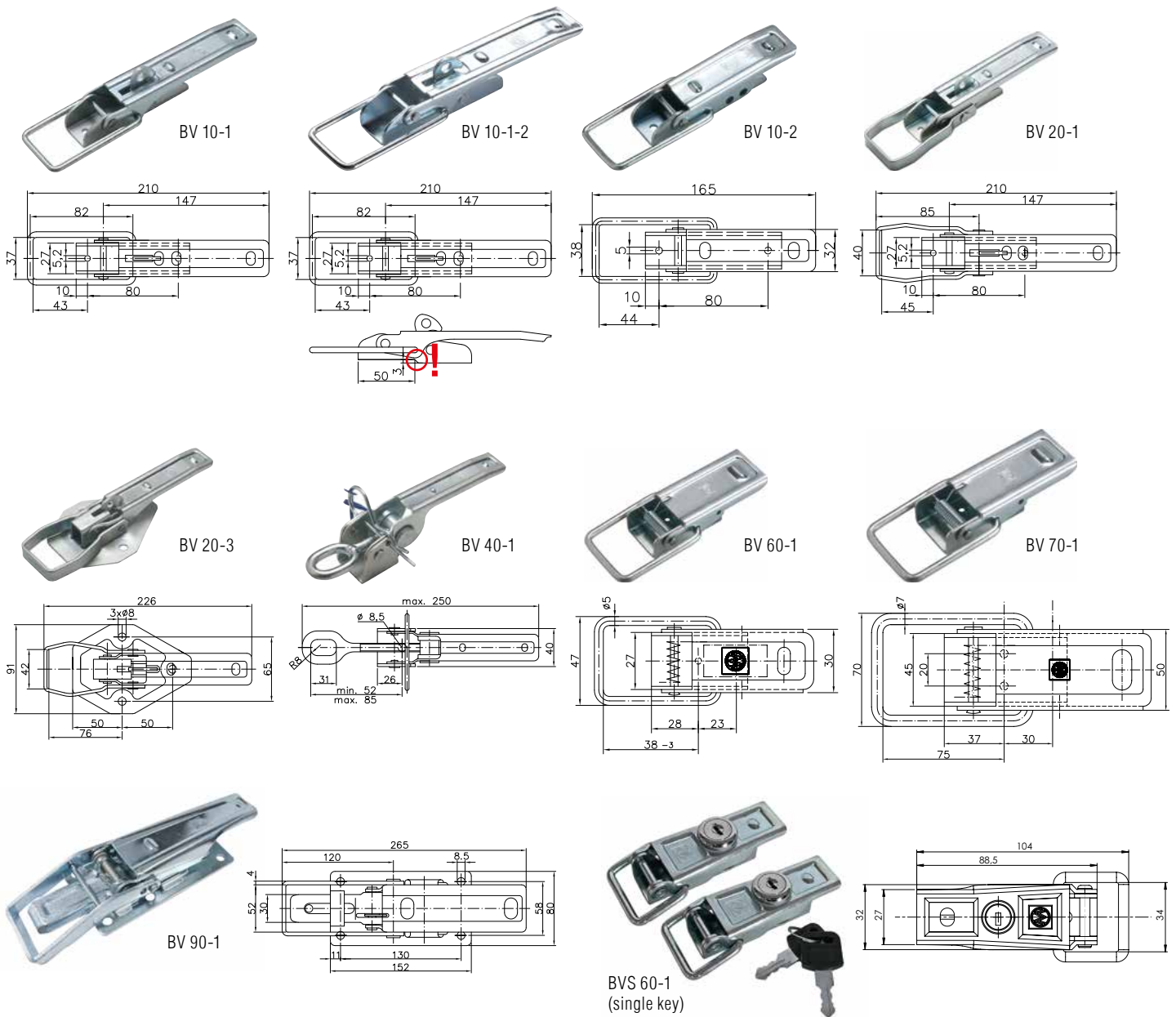


**SAFETY BALL**



	Part No.	suitable for				
ANTI THEFT DBS 8	1860154	AK 7, EM 80, EM 150, EM 220, EM 300, EM 350, WW 8, WW 13, WW 150, WW 220, WW 30	0.02 kg	5	50	12
DISCUS LOCK 70 MM	1862126	universal usage	0.23 kg	–	72	12
SAFETY-BALL WW BLACK	1860486	universal usage	0.04 kg	–	500	12

# TAILGATE LATCHES AND COUNTERPARTS

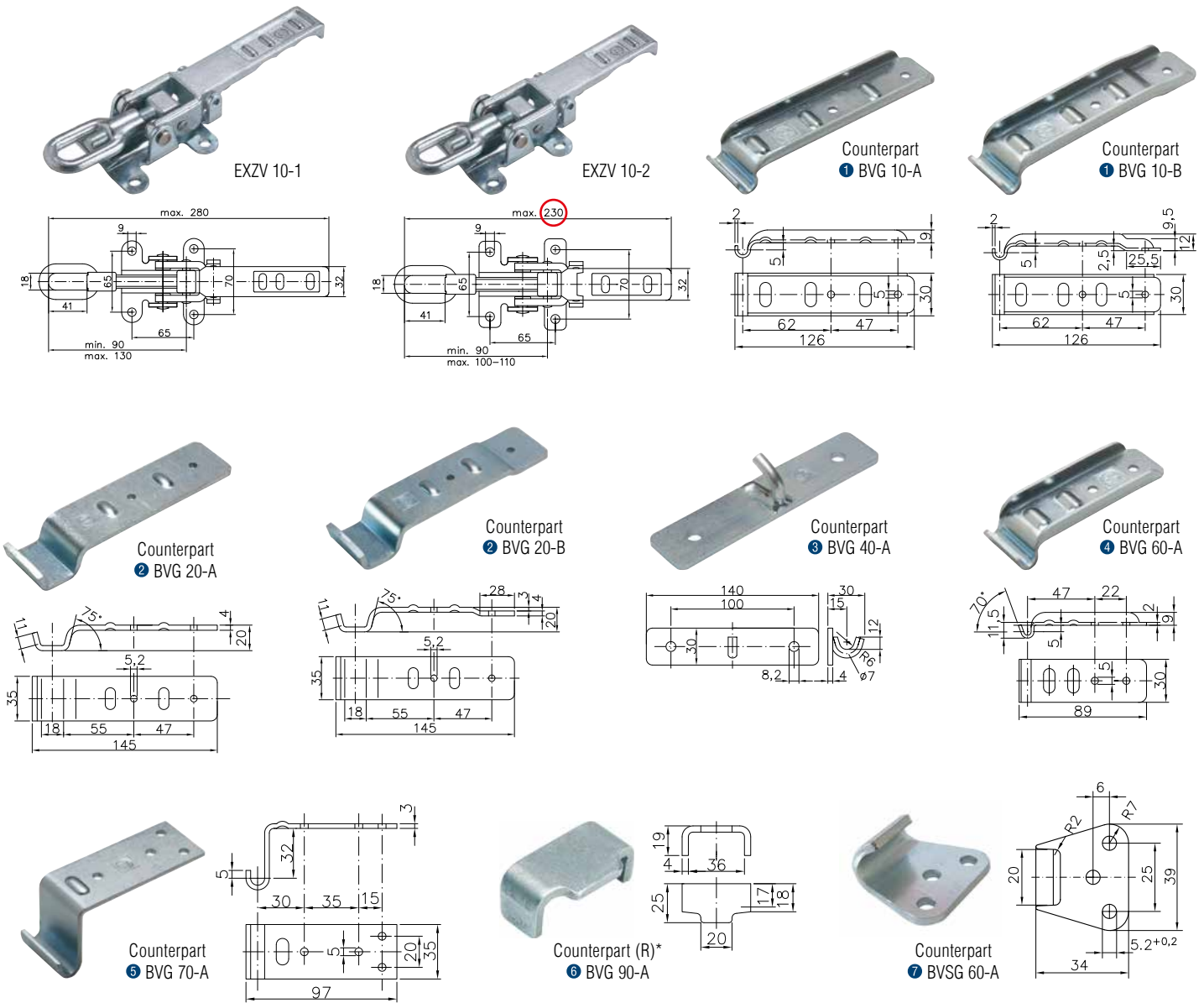


TÜV Nord certificate: available

Surface treatment: Galvanised

Zn

	Matching counterpart	Part No. Single	Units	Part No. PU	Units	Tensile strength in daN (kg)	Single	PU	
							Single	PU	
Tailgate latch BV 10-1	1	1860019	1	1860020	60	900	0.26 kg	15.6 kg	2
Tailgate latch BV 10-1-2	1	1860021	1	1860022	60	900	0.26 kg	15.3 kg	2
Tailgate latch BV 10-2	1	1860023	1	1860024	70	650	0.22 kg	15.05 kg	2
Tailgate latch BV 20-1	2	1860025	1	1860026	45	800	0.30 kg	13.5 kg	2
Tailgate latch BV 20-3	2	1860027	1	1860028	30	900	0.47 kg	13.95 kg	2
Tailgate latch BV 40-1	3	1860029	1	1860030	50	1,100	0.41 kg	20.5 kg	2
Tailgate latch BV 60-1	4	1860031	1	1860032	150	500	0.11 kg	15.75 kg	2
Tailgate latch BV 70-1	5	1860033	1	1860034	50	1,000	0.36 kg	18.0 kg	2
Tailgate latch BV 90-1	6	1860035	1	1860036	10	1,100	1.09 kg	10.85 kg	2
Tailgate latch lockable BVS 60-1	7	1860037	1 pair	1860038	50 pair	650	0.16 kg	16.0 kg	2



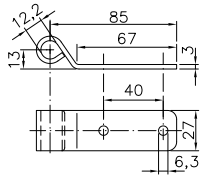
**TÜV Nord certificate: available**
**Surface treatment: Galvanised**
**Zn**

	Matching counterpart	Part No.		Tensile strength in daN (kg)	Single	PU	Single	PU	Units
		Single	Units						
Toggle lock EXZV 10-1		1860067	1	1860068	20	1,000	0.92 kg	9.2 kg	2
Toggle lock EXZV 10-2		1860069	1	1860070	20	1,000	0.89 kg	17.7 kg	2
① Counterpart to tailgate latch BVG 10-A		1860071	1	1860072	180	300	0.08 kg	14.4 kg	2
① Counterpart to tailgate latch BVG 10-B		1860073	1	1860074	180	300	0.08 kg	14.4 kg	2
② Counterpart to tailgate latch BVG 20-A		1860075	1	1860076	90	450	0.17 kg	15.3 kg	2
② Counterpart to tailgate latch BVG 20-B		1860077	1	1860078	90	450	0.17 kg	15.3 kg	2
③ Counterpart to tailgate latch BVG 40-A		1860079	1	1860080	100	650	0.16 kg	16.0 kg	2
④ Counterpart to tailgate latch BVG 60-A		1860081	1	1860082	300	300	0.06 kg	16.5 kg	2
⑤ Counterpart to tailgate latch BVG 70-A		1860083	1	1860084	200	450	0.11 kg	22.0 kg	2
⑥ Counterpart to tailgate latch BVG 90-A		1860085	1	1860086	400	-	0.04 kg	16.0 kg	2
⑦ Counterpart to strap BVSG 60-A		1860087	1	1860088	200	500	0.03 kg	6.0 kg	2

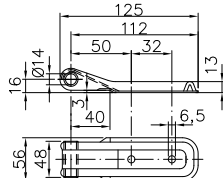
# TAILGATE HINGES AND COUNTERPARTS



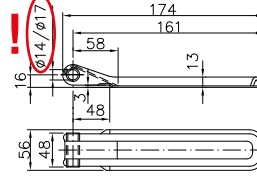
BSCH 10-12-90



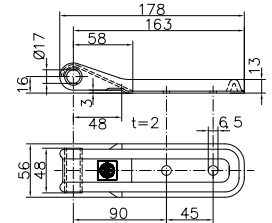
BSCH 10-14-120-PO



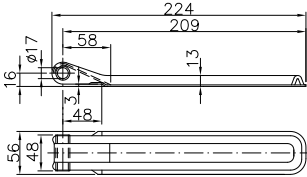
BSCH 10-14-170  
BSCH 10-17-170



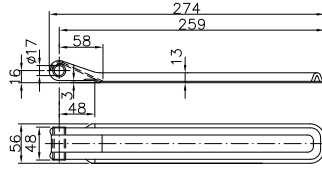
BSCH 10-17-170-SO



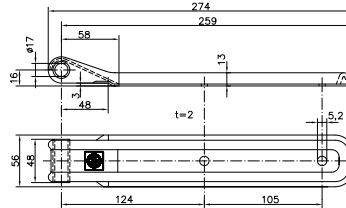
BSCH 10-17-220



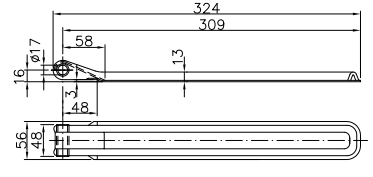
BSCH 10-17-270



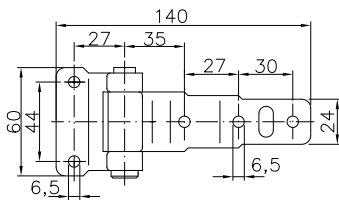
BSCH 10-17-270-SO



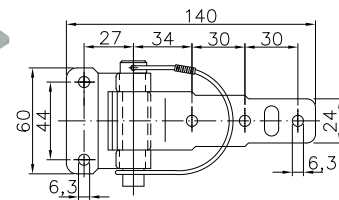
BSCH 10-17-320



BSCH 30-1



BSCH 30-2

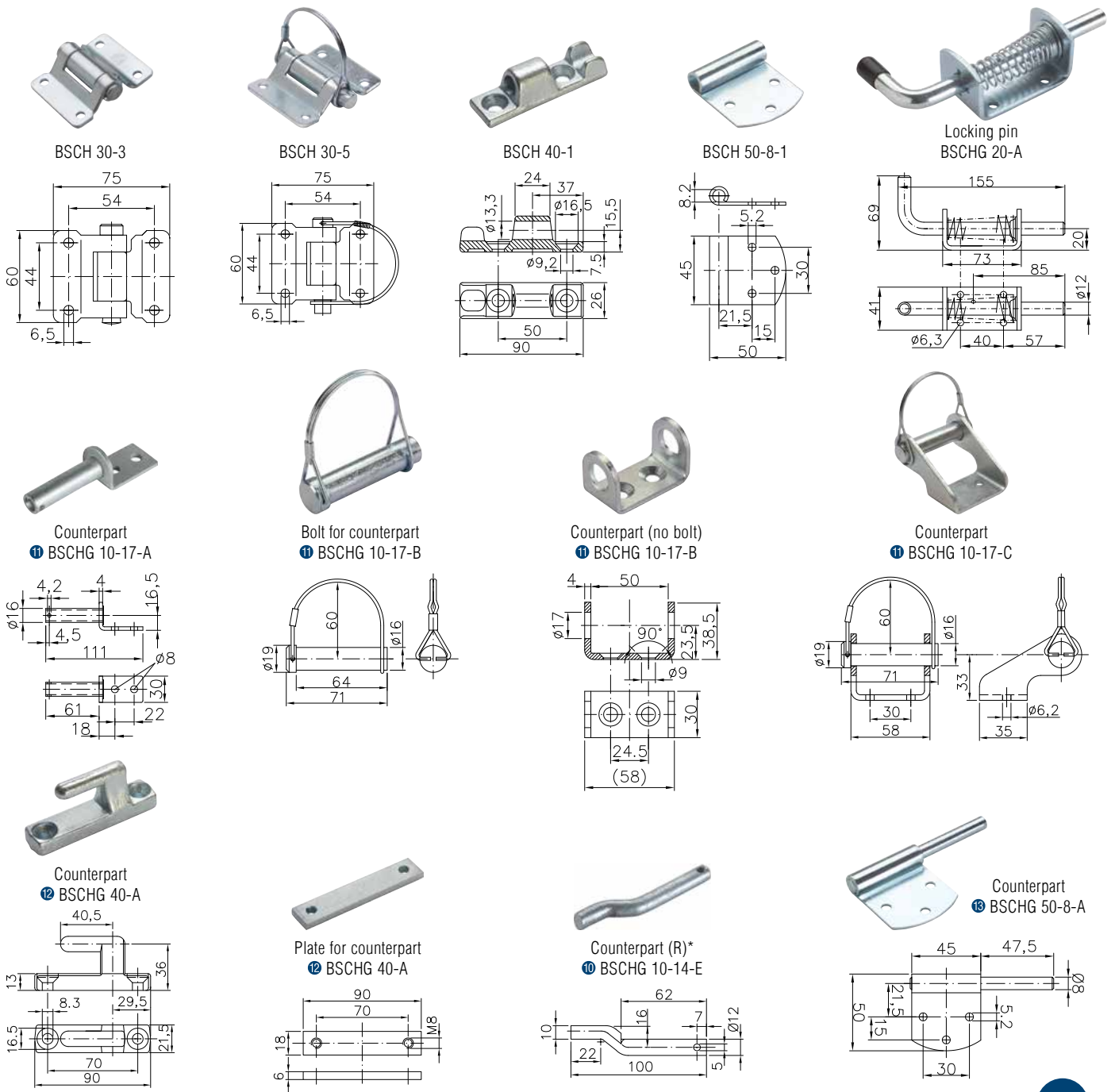


Surface treatment: Galvanised

Zn

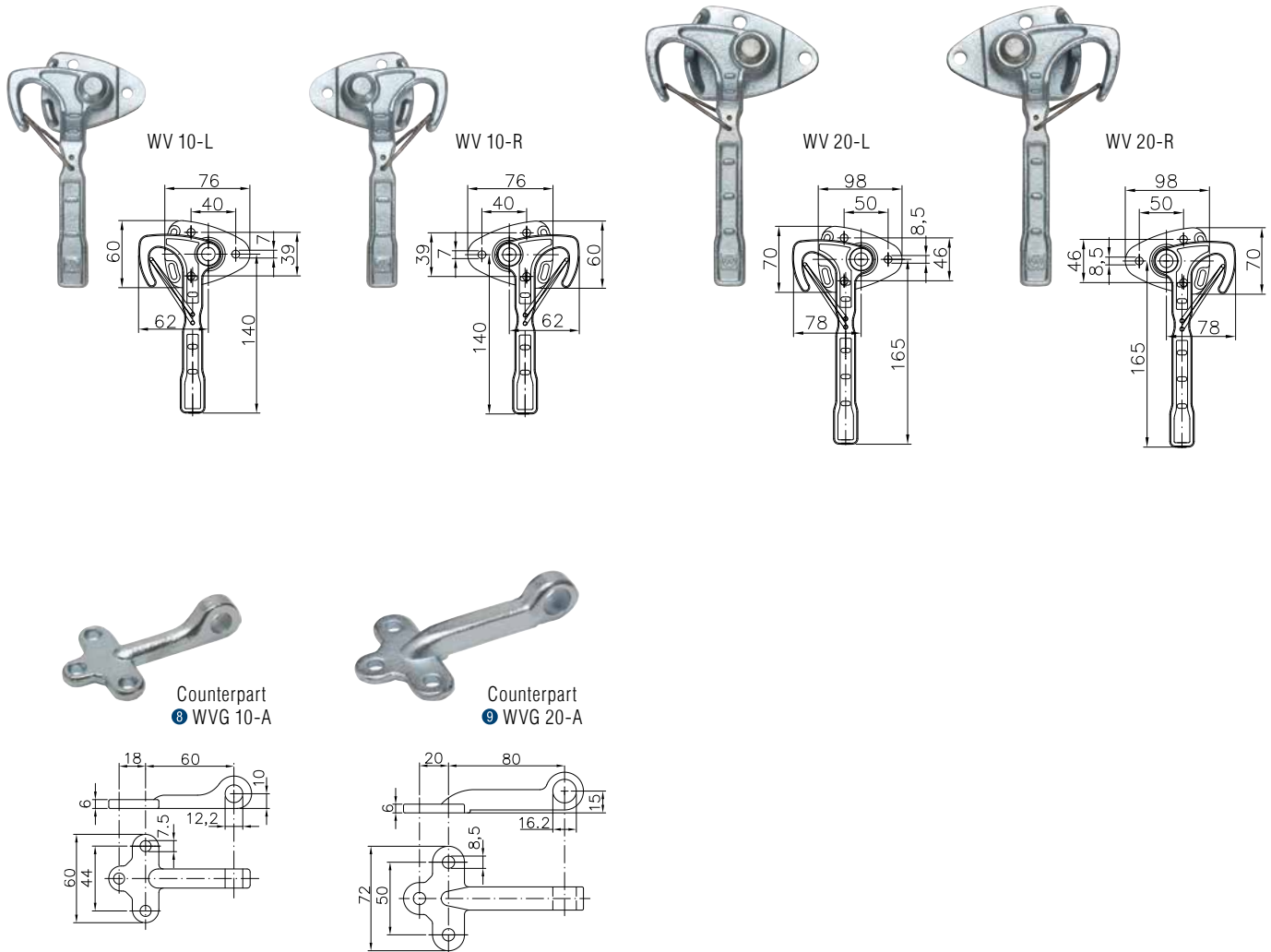
	Matching counterpart	Part No.	Units	Part No.	Units	Single	PU	Icon
		Single	Units	PU	Units	Single	PU	
Tailgate hinge BSCH 10-12-90		1860141	1	1860142	250	0.09 kg	21.25 kg	2
Tailgate hinge BSCH 10-14-120-PO	⑩	1860111	1	1860112	100	0.17 kg	17.0 kg	2
Tailgate hinge BSCH 10-14-170	⑩	1860113	1	1860114	50	0.27 kg	13.25 kg	2
Tailgate hinge BSCH 10-17-170	⑪	1860115	1	1860116	50	0.28 kg	14.0 kg	2
Tailgate hinge BSCH 10-17-170-PO	⑪	1860117	1	1860118	50	0.25 kg	12.5 kg	2
Tailgate hinge BSCH 10-17-220	⑪	1860121	1	1860122	50	0.30 kg	14.9 kg	2
Tailgate hinge BSCH 10-17-270	⑪	1860127	1	1860128	50	0.36 kg	18.0 kg	2
Tailgate hinge BSCH 10-17-270-PO	⑪	1860131	1	1860132	50	0.36 kg	18.0 kg	2
Tailgate hinge BSCH 10-17-320	⑪	1860133	1	1860134	50	0.41 kg	20.6 kg	2
Tailgate hinge BSCH 30-1		1860107	1	1860108	70	0.21 kg	14.35 kg	2
Tailgate hinge BSCH 30-2		1860143	1	1860144	80	0.23 kg	18.4 kg	2




**Surface treatment: Galvanised**
**Zn**

	Matching counterpart	Part No. Single	Units	Part No. PU	Units	Single	PU	
Tailgate hinge BSCH 30-3		1860109	1	1860110	100	0.19 kg	19.0 kg	2
Tailgate hinge BSCH 30-5		1860145	1	1860146	100	0.21 kg	21.0 kg	2
Tailgate hinge BSCH 40-1	⑫	1860149	1	1860150	60	0.17 kg	10.2 kg	2
Tailgate hinge BSCH 50-8-1	⑬	1860099	1	1860100	200	0.05 kg	10.0 kg	2
Locking pin BSCHG 20-A		1860095	1	1860096	60	0.34 kg	20.4 kg	2
① Counterpart side panel hinge BSCHG 10-17-A		1860089	1	1860090	100	0.12 kg	11.5 kg	2
① Bolts for counterpart BSCHG 10-17-B		1860091	1	1860092	100	0.13 kg	12.5 kg	2
① Counterpart to tailgate hinge BSCHG 10-17-B (no bolt)		1860093	1	1860094	100	0.09 kg	9.0 kg	2
① Counterpart side panel hinge BSCHG 10-17-C		1860097	1	1860098	50	0.28 kg	14.0 kg	2
⑫ Counterpart side panel hinge BSCHG 40-A		1860101	1	1860102	60	0.24 kg	14.4 kg	2
⑫ Plate for counterpart to tailgate hinge BSCHG 40-A		1860103	1	1860104	60	0.07 kg	4.2 kg	2
⑩ Counterpart side panel hinge BSCHG 10-14-E		1860105	1	1860106	150	0.09 kg	13.5 kg	2
⑬ Counterpart side panel hinge BSCHG 50-8-A		1860147	1	1860148	200	0.09 kg	18.0 kg	2

# LEVER FASTENERS AND COUNTERPARTS



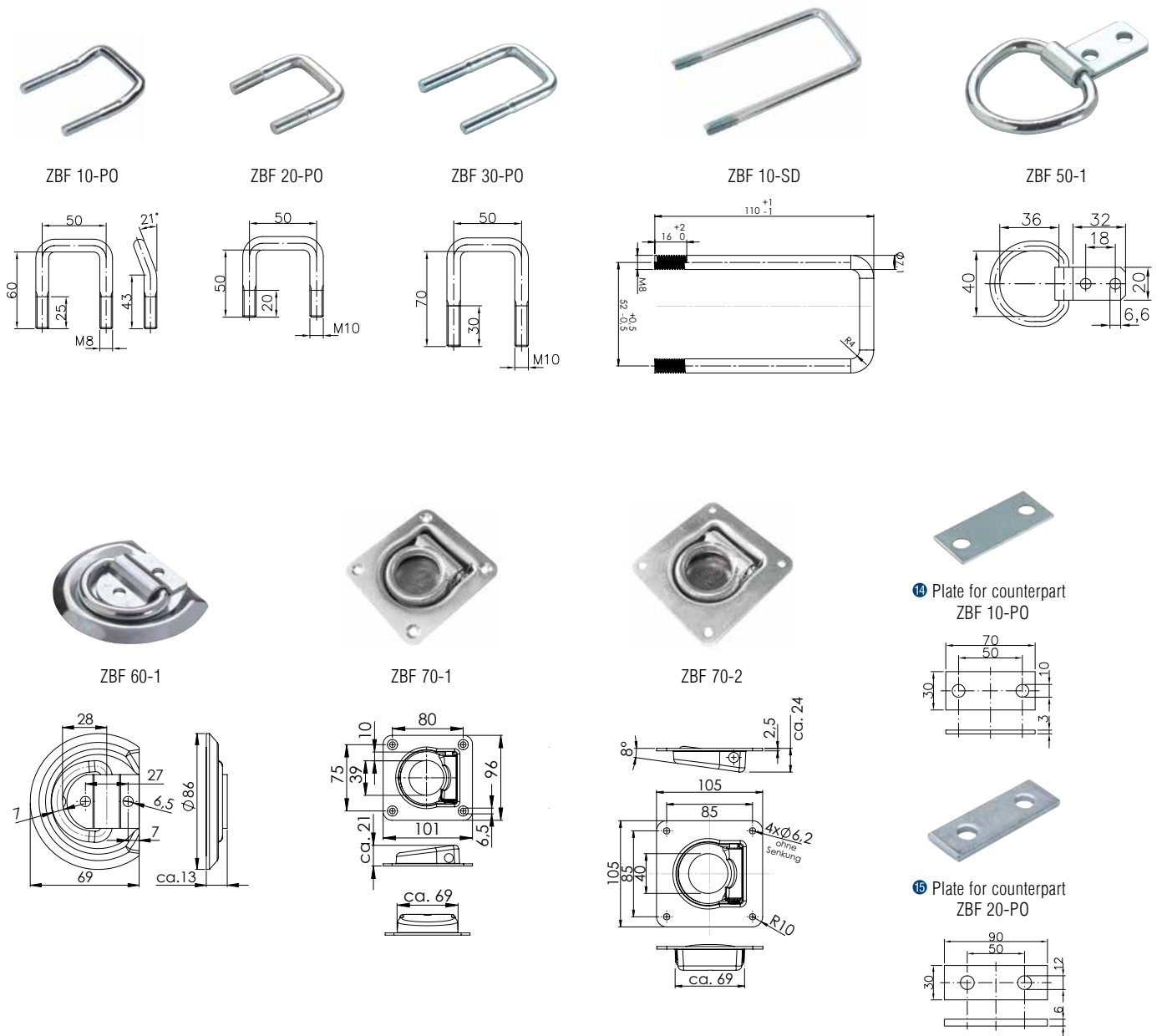
TÜV Nord certificate: available

Surface treatment: Galvanised

Zn

	Matching counterpart	Part No. Single	Units	Part No. PU	Units	Tensile strength in daN (kg)	Single	PU	
Lever fastener WV 10-L	8	1860003	1	1860004	40	800	0.43 kg	17.2 kg	2
Lever fastener WV 10-R	8	1860001	1	1860002	40	800	0.45 kg	18.0 kg	2
Lever fastener WV 20-L	9	1860007	1	1860008	20	1,000	0.64 kg	12.8 kg	2
Lever fastener WV 20-R	9	1860005	1	1860006	20	1,000	0.64 kg	12.8 kg	2
8 Counterpart WVG 10-A		1860013	1	1860014	80	1,000	0.12 kg	9.2 kg	2
9 Counterpart WVG 20-A		1860017	1	1860018	40	1,200	0.21 kg	8.4 kg	2







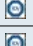


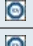

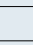
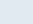
# LASHING ATTACHMENTS



 TÜV Nord certificate: available

Surface treatment: Galvanised

Zn

	Matching counterpart	Part No. Single	 Units	Part No. PU	 Units	Tensile strength in daN (kg)	 Single	 PU	
Lashing ZBF 10-PO	14	1860039	1	1860040	250	800 	0.06 kg	15.0 kg	2
Lashing ZBF 20-PO	15	1860041	1	1860042	150	1,000 	0.08 kg	12.0 kg	2
Lashing ZBF 30-PO		1860043	1	1860044	150	1,000 	0.11 kg	16.5 kg	2
Lashing ZBF 10-SD		1860047	1	1860048	150	800 	0.08 kg	12.0 kg	2
Lashing ZBF 50-1		1860049	1	1860050	250	240 	0.06 kg	15.0 kg	2
Lashing ZBF 60-1		1860059	1	1860060	150	400 	0.13 kg	8.75 kg	2
Lashing ZBF 70-1		1860061	1	1860062	50	800 	0.38 kg	18.75 kg	2
Lashing ZBF 70-2		1860063	1	1860064	50	800 	0.40 kg	20.0 kg	2
14 Plate for counterpart ZBF 10-PO		1860053	1	1860054	250	–	0.05 kg	11.25 kg	2
15 Plate for counterpart ZBF 20-PO		1860057	1	1860058	75	–	0.11 kg	8.25 kg	2



**WINTERHOFF**  
QUALITY TRAILER SYSTEMS

**AL-KO**

QUALITY FOR LIFE

**WINTERHOFF – A AL-KO VEHICLE TECHNOLOGY GROUP BRAND**

Member of **DEXKO**  
GLOBAL

**ALOIS KOBER GMBH**

Ichenhauser Straße 14

89359 Kötz

Germany

T +49 8221 97-0

info@alko-tech.com

**www.alko-tech.com**

Part No. 499626 A – Subject to changes in line with technical progress.  
No liability accepted for mistakes and printing errors. Issue 08/2022