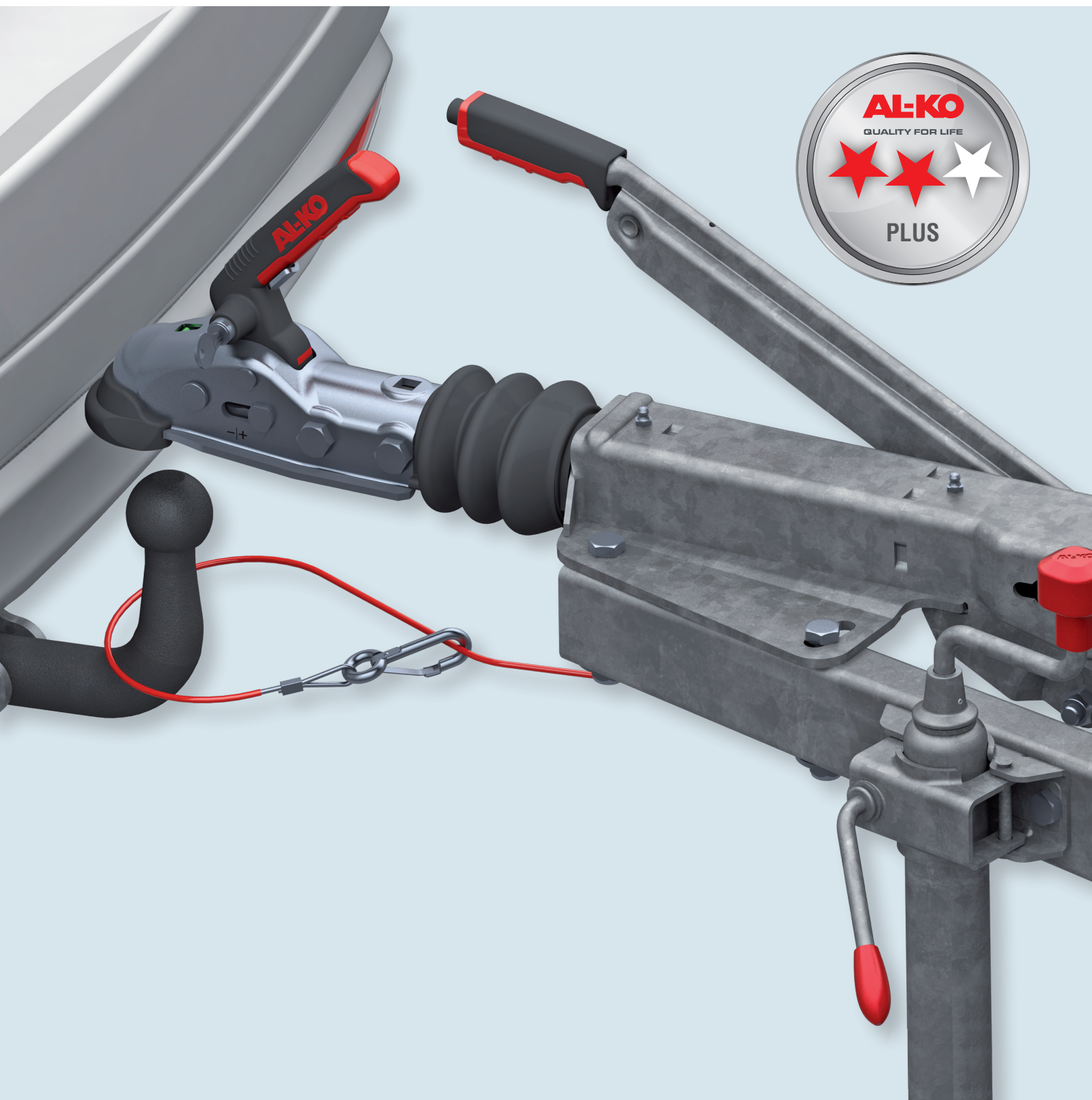


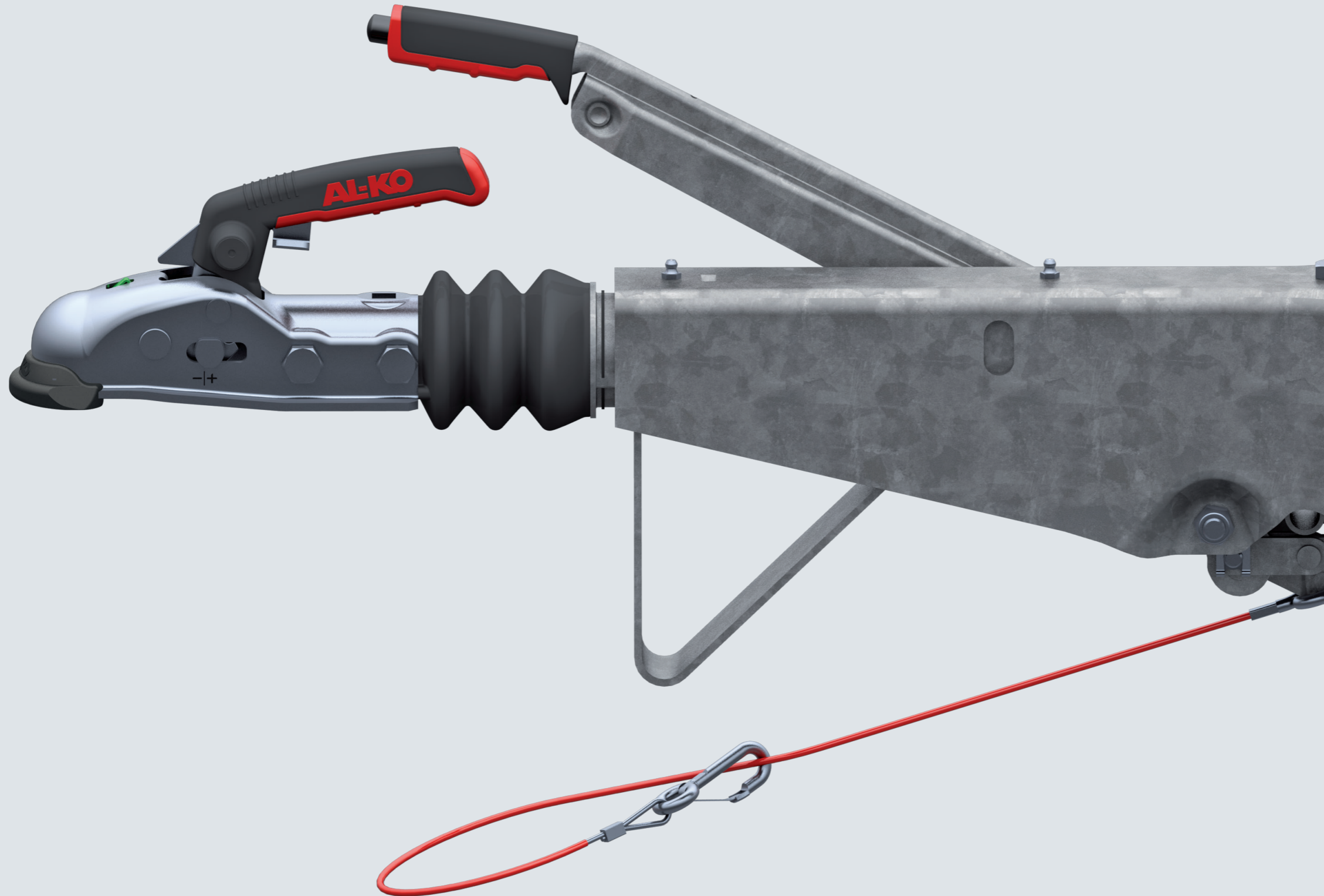
AL-KO

QUALITY FOR LIFE

BALL COUPLINGS AK 161 / AK 270
FOR BRAKED TRAILERS UP TO 2,700 KG



CONTENTS



AL-KO Ball Couplings AK 161 / AK 270

Features & Benefits Explained	4-5
Ordering Overview	6-7

Overrun Hitch Square

without drawbar section 450 to 750 kg	8
without drawbar section 700 to 1,000 kg	9
without drawbar section 950 to 1,600 kg	10
without drawbar section 1,500 to 2,600 kg	11

Overrun Hitch V

450 to 1,600 kg	12
950 to 1,600 kg	13
1,500 to 2,700 kg	14
with elevated centre flange welded on 1,500 to 2,700 kg	15



AL-KO BALL COUPLINGS AK 161 / AK 270



**FOR BRAKED TRAILERS UP TO 2,700 KG
WITH 3-FOLD SAFETY FOR FLAWLESS HITCHING UP**

SAFETY 1

Open position

The hand grip points diagonally upwards and indicates to the operator that it is open.



SOFT TOUCH GRIP

(AL-KO registered design)

A soft and therefore adhesive plastic mixture is used in the red area of the hand grip. In addition, the projection on the end of the hand grip serves as an anti-slip protection.



When the towball is not yet fully inserted a red section is displayed.

WEAR DISPLAY

Can be read in the hitched position.



Wear display for trailer

Indicates that both the trailer towing device on the vehicle and the ball coupling on the trailer are not worn.



SAFETY 2

Closed position

The towball is fully inserted and has released the securing lever. (Important! Legally prescribed minimum imposed load is necessary). Only now does the hand grip take up the horizontal position and indicate to the operator that a secure connection has been created. The unit is now ready for towing.



SAFETY 3

Display for correct hitching

In the closed position, the green safety display is pushed out by the ball on the towing vehicle, and is therefore visible. Once again, it signals to the operator that the trailer is securely connected to the towing vehicle. The journey may now start.

Securing lever for flawless hitching



Wear display for trailer

Indicates that the trailer towing device on the vehicle or the ball coupling on the trailer is worn.



SOFTDOCK AS STANDARD

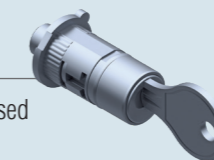
- Protection against scratching
- Shin protection



Improved design with steel insert for secure hold on the ball coupling.

OPTIONAL ACCESSORY PUSH LOCK

Effective protection against rapid unauthorised access in the coupled and uncoupled state.



BALL COUPLINGS AK 161 / AK 270

for braked trailers up to 2,700 kg



BALL COUPLINGS AK 161 / AK 270

for braked trailers up to 2,700 kg



Ordering overview

Ball coupling AK 161 with Soft-Dock	
Order no.	1 730 219
Barcode no.	4003718049756
Permitted total weight	1,600 kg
Imposed load	120 kg
Holes	horizontal + cross
Material	Steel
ECE type approval	E1 55R-01 2671
Tightening torque	86 Nm
	1.6 kg - 400 units

Ball coupling AK 161 with Soft-Dock, spacers Ø 35 / Ø 45	
Order no.	1 730 218
Barcode no.	4003718049749
Permitted total weight	1,600 kg
Imposed load	120 kg
Holes	horizontal + cross
Material	Steel
ECE type approval	E1 55R-01 2671
Tightening torque	86 Nm
	1.7 kg - 144 units

Safety kit for ball coupling AK 161 with Soft-Dock, spacers Ø 35/45, push lock	
Order no.	1 730 220
Barcode no.	4003718049763
Permitted total weight	1,600 kg
Imposed load	120 kg
Holes	horizontal + cross
Material	Steel
ECE type approval	E1 55R-01 2671
Tightening torque	86 Nm
	1.9 kg - 144 units

Soft-Dock suitable for ball coupling AK 161 / AK 270	
Order no.	693 394
Barcode no.	4003718051698
	0.043 kg
	-

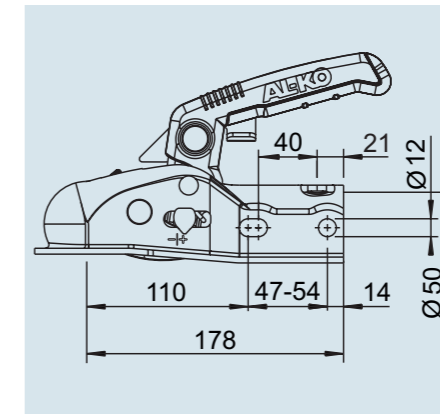
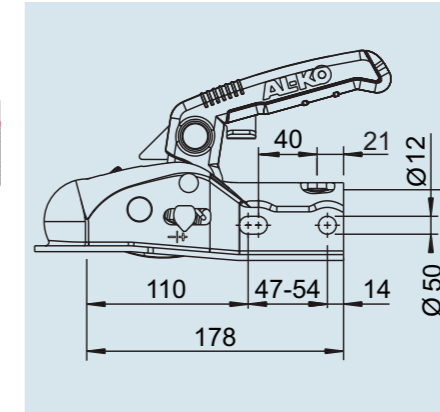
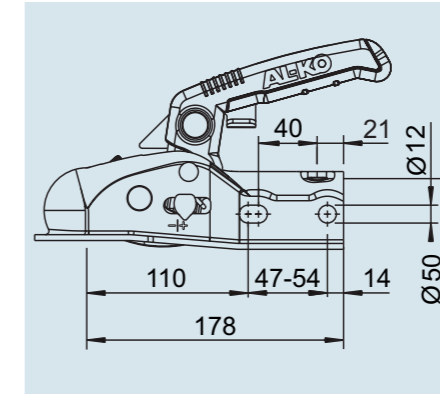
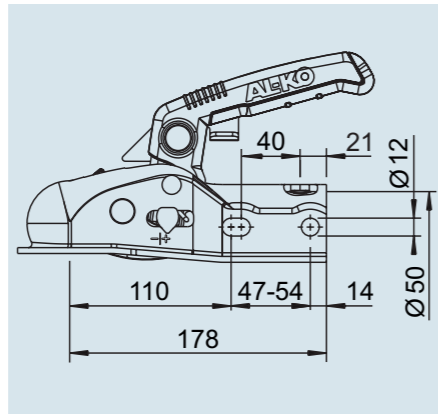
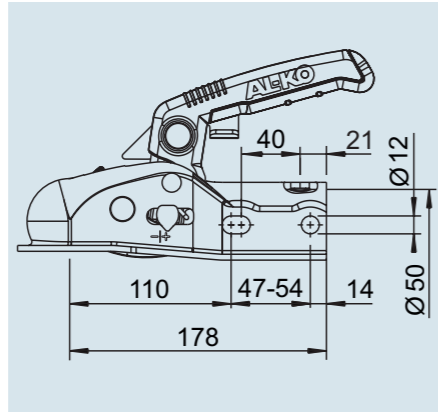
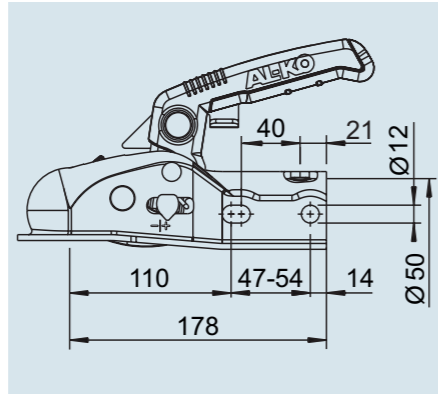
Ordering overview

Ball coupling AK 270 with Soft-Dock	
Order no.	1 730 082
Barcode no.	4003718049770
Permitted total weight	2,700 kg
Imposed load	120 kg
Holes	horizontal + cross
Material	Steel
ECE type approval	E1 55R-01 2669
Tightening torque	86 Nm
	1.7 kg - 400 units

Ball coupling AK 270 with Soft-Dock, spacers Ø 35 / Ø 40 / Ø 45	
Order no.	1 730 083
Barcode no.	4003718049787
Permitted total weight	2,700 kg
Imposed load	120 kg
Holes	horizontal + cross
Material	Steel
ECE type approval	E1 55R-01 2669
Tightening torque	86 Nm
	1.9 kg - 144 units

Safety kit for ball coupling AK 270 with Soft-Dock, spacers Ø 35/40/45, push lock	
Order no.	1 730 084
Barcode no.	4003718049794
Permitted total weight	2,700 kg
Imposed load	120 kg
Holes	horizontal + cross
Material	Steel
ECE type approval	E1 55R-01 2669
Tightening torque	86 Nm
	2.1 kg - 144 units

Lock cylinder with safety ball suitable for ball coupling AK 161 / AK 270	
Order no.	1 730 411
Barcode no.	4003718051704
	0.15 kg
	-



OVERRUN HITCH SQUARE

without drawbar section 450 to 750 kg

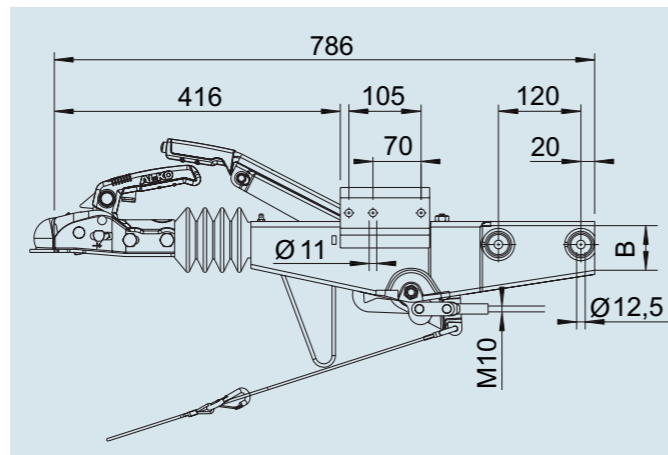
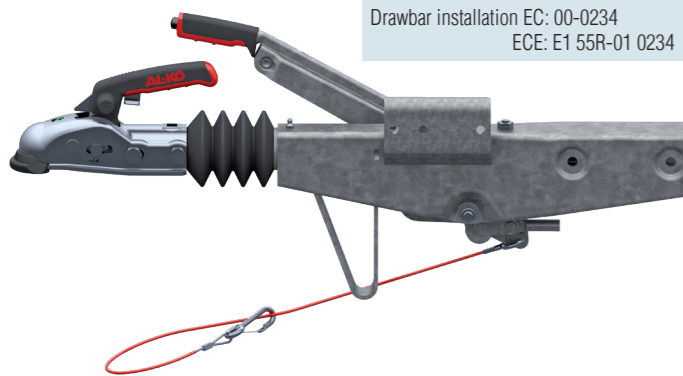
Order overview – available from July 2016

AE VKT 60S/2 with AK 161 with Soft-Dock												
Order no.	Type	Total weight in kg	Imposed load in kg	Dimension B mm	Changeover relay lever	Can be combined with AL-KO wheel brake	Hitch mounted					
1 251 900	60S/2	450 - 750	75	60	no	1636G / 1637	AK 161	10	-	50	2	

Scope of supply

- Overrun hitch (see fig.)
- Plug holder (loose)
- Instructions for use (loose)

EC/ECE test report no.
Overrun hitch EC: 150-98 07 ECE: 361-0126-97
EC/ECE type approval no.
Drawbar installation EC: 00-0234 ECE: E1 55R-01 0234



OVERRUN HITCH SQUARE

without drawbar section 700 to 1,000 kg

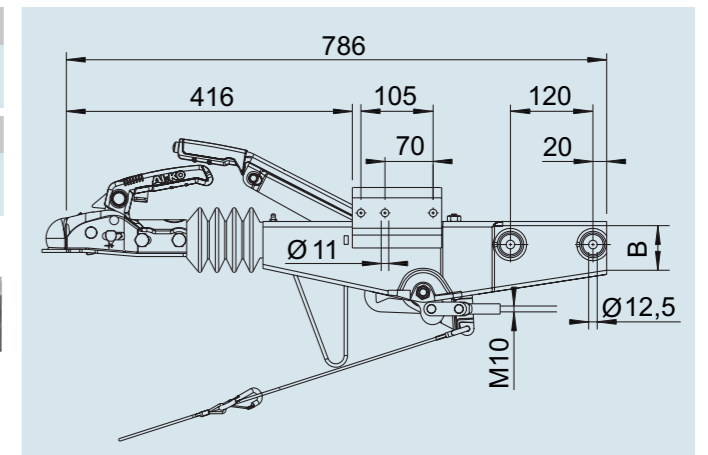
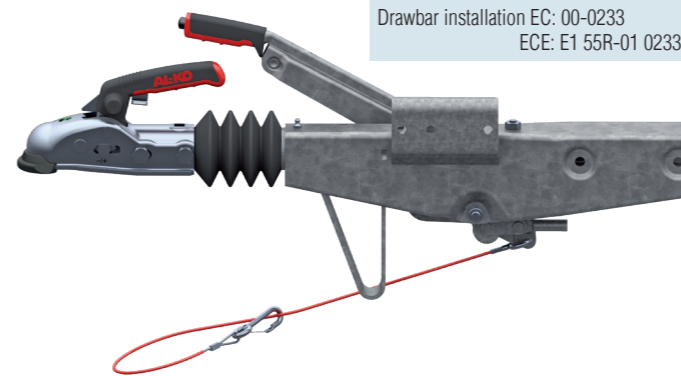
Order overview – available from July 2016

AE VKT 90S/3 with AK 161 with Soft-Dock												
Order no.	Type	Total weight in kg	Imposed load in kg	Dimension B mm	Changeover relay lever	Can be combined with AL-KO wheel brake	Hitch mounted					
1 251 902	90S/3	700 - 1000	75	60	no	1637 / 2051	AK 161	11	-	50	2	

Scope of supply

- Overrun hitch (see fig.)
- Plug holder (loose)
- Instructions for use (loose)

EC/ECE test report no.
Overrun hitch EC: 150-55 35 ECE: 361-033-92
EC/ECE type approval no.
Drawbar installation EC: 00-0233 ECE: E1 55R-01 0233

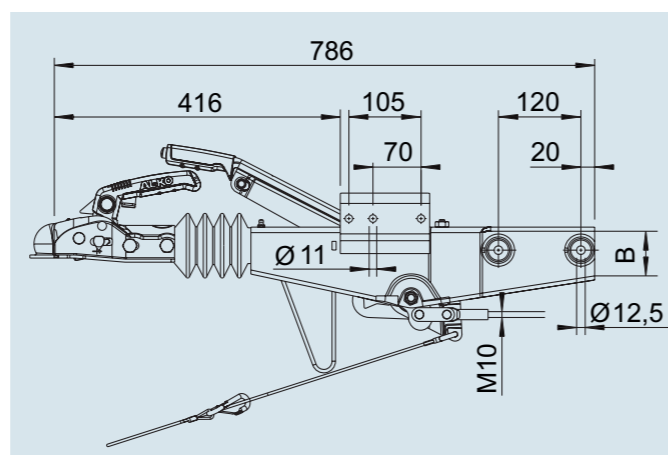
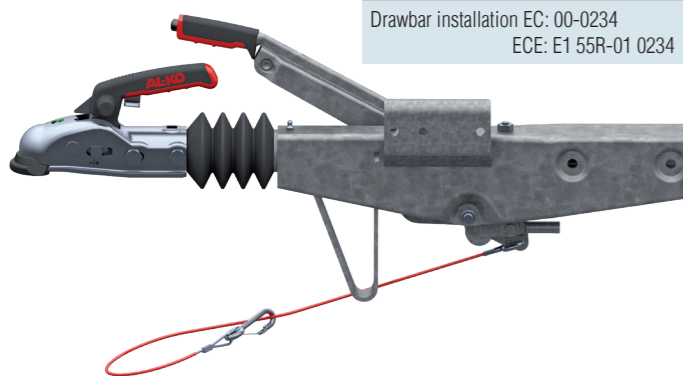


AE VKT 60S/2 with AK 161 with Soft-Dock												
Order no.	Type	Total weight in kg	Imposed load in kg	Dimension B mm	Changeover relay lever	Can be combined with AL-KO wheel brake	Hitch mounted					
1 251 901	60S/2	450 - 750	75	70	no	1636G / 1637	AK 161	11	-	50	20	

Scope of supply

- Overrun hitch (see fig.)
- Plug holder (loose)
- Instructions for use (loose)

EC/ECE test report no.
Overrun hitch EC: 150-98 07 ECE: 361-0126-97
EC/ECE type approval no.
Drawbar installation EC: 00-0234 ECE: E1 55R-01 0234

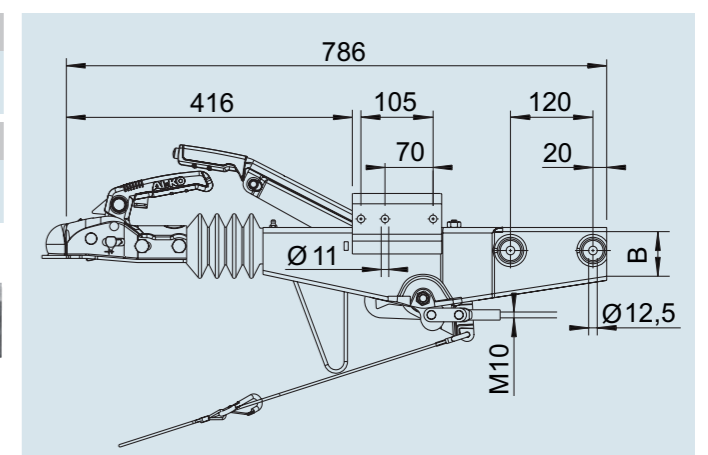
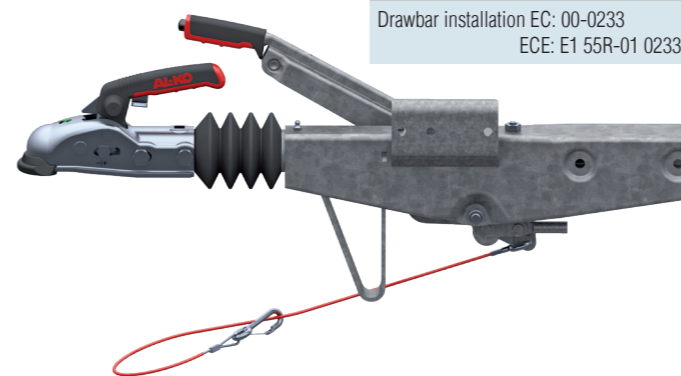


AE VKT 90S/3 with AK 161 with Soft-Dock												
Order no.	Type	Total weight in kg	Imposed load in kg	Dimension B mm	Changeover relay lever	Can be combined with AL-KO wheel brake	Hitch mounted					
1 251 903	90S/3	700 - 1000	75	70	no	1637 / 2051	AK 161	11	-	50	2	

Scope of supply

- Overrun hitch (see fig.)
- Plug holder (loose)
- Instructions for use (loose)

EC/ECE test report no.
Overrun hitch EC: 150-55 35 ECE: 361-033-92
EC/ECE type approval no.
Drawbar installation EC: 00-0233 ECE: E1 55R-01 0233



OVERRUN HITCH SQUARE

without drawbar section 950 to 1,600 kg

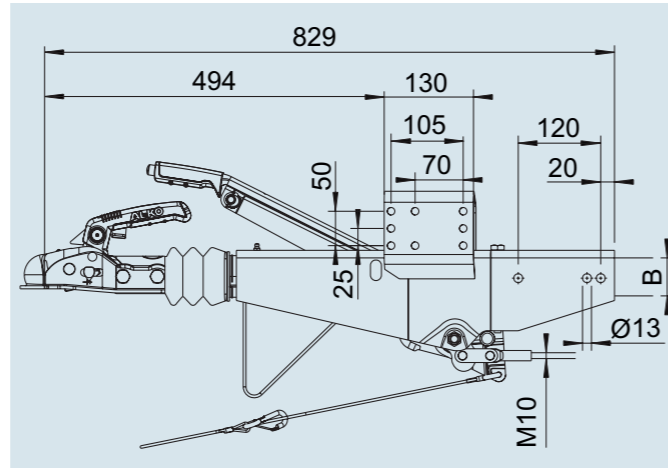
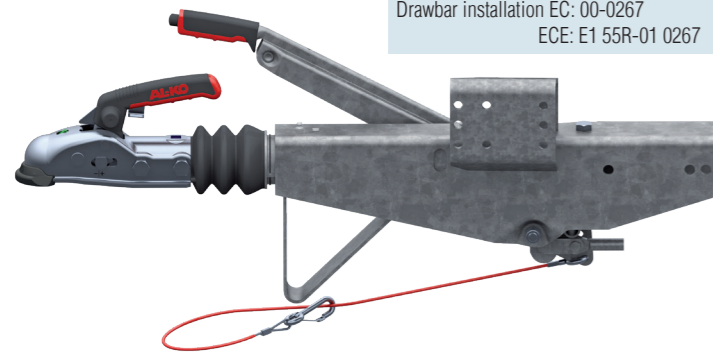
Order overview – available from July 2016

AE VKT 161S – VKT 70 with AK 161 and Soft-Dock											
Order no.	Type	Total weight in kg	Imposed load in kg	Dimension B mm	Changeover relay lever	Can be combined with AL-KO wheel brake	Hitch mounted				
1 251 904	161S	950 - 1600	100	70	no	1636G/1637/2051	AK 161	15	-	40	2
1 251 905	161S	950 - 1600	100	70	no	2361	AK 161	15	-	40	2

Scope of supply

- Overrun hitch (see fig.)
- Plug holder (loose)
- Instructions for use (loose)

EC/ECE test report no.
Overrun hitch EC: 361-284-83 ECE: 361-0047-97
EC/ECE type approval no.
Drawbar installation EC: 00-0267 ECE: E1 55R-01 0267



OVERRUN HITCH SQUARE

without drawbar section 1,500 to 2,600 kg

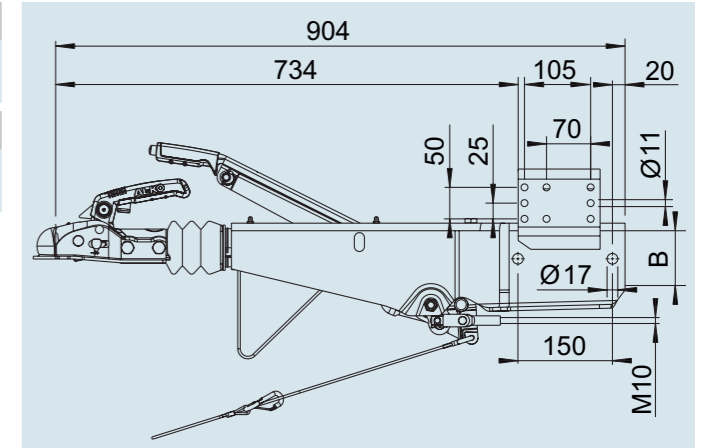
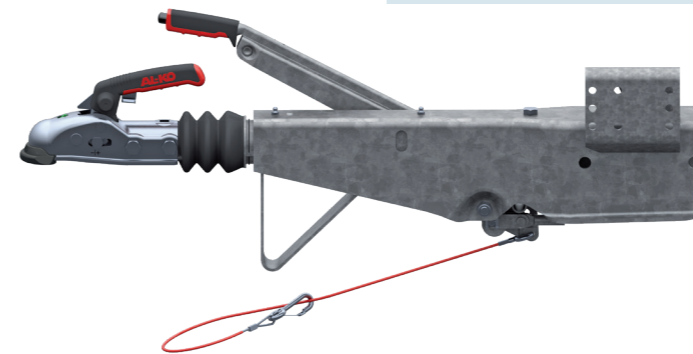
Order overview – available from July 2016

AE VKT 251S with AK 270 and Soft-Dock											
Order no.	Type	Total weight in kg	Imposed load in kg	Dimension B mm	Changeover relay lever	Can be combined with AL-KO wheel brake	Hitch mounted				
1 251 908	251S	1500 - 2600	100	100	yes	1637 / 2051	AK 270	20	-	25	2
1 251 909	251S	1500 - 2600	100	100	yes	2361	AK 270	20	-	25	20

Scope of supply

- Overrun hitch (see fig.)
- Plug holder (loose)
- Instructions for use (loose)

EC/ECE test report no.
Overrun hitch EC: 361-303-83 ECE: 361-0044-97
EC/ECE type approval no.
Drawbar installation EC: 00-0268 ECE: E1 55R-01 0268

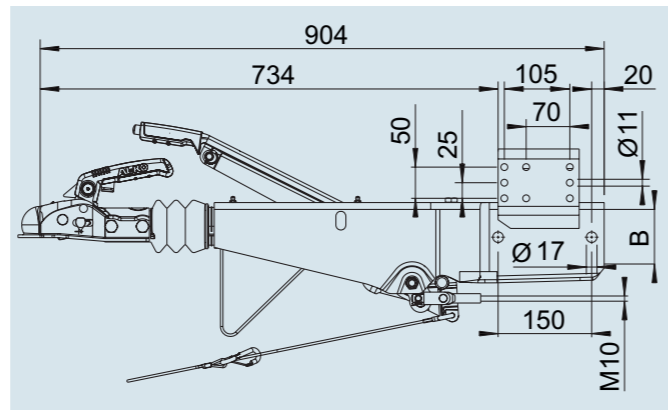
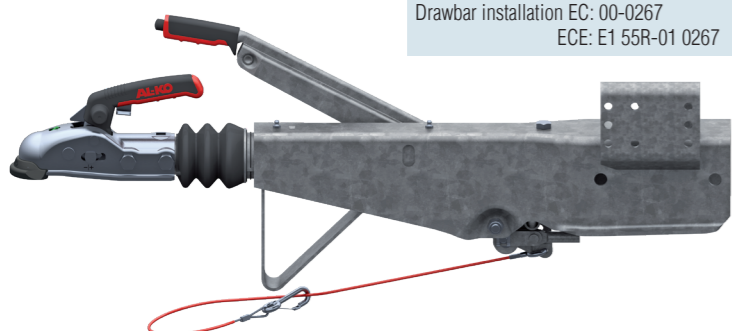


AE VKT 161S – VKT 100 with AK 161 and Soft-Dock											
Order no.	Type	Total weight in kg	Imposed load in kg	Dimension B mm	Changeover relay lever	Can be combined with AL-KO wheel brake	Hitch mounted				
1 251 906	161S	950 - 1600	100	100	yes	1637 / 2051	AK 161	16	-	40	2
1 251 907	161S	950 - 1600	100	100	yes	2361	AK 161	16	-	40	2

Scope of supply

- Overrun hitch (see fig.)
- Plug holder (loose)
- Instructions for use (loose)

EC/ECE test report no.
Overrun hitch EC: 361-284-83 ECE: 361-0047-97
EC/ECE type approval no.
Drawbar installation EC: 00-0267 ECE: E1 55R-01 0267



OVERRUN HITCH V

450 to 1,600 kg

Order overview – available from July 2016

AE V 60S/2 and 90S/3 with AK 161 and Soft-Dock											
Order no.	Type	Total weight in kg	Imposed load in kg	Drawbar installation version	Changeover relay lever	Can be combined with AL-KO wheel brake	Hitch mounted				
1 251 910	60S/2	450 - 750	75	top	no	1636G / 1637	AK 161	9	-	50	2
1 251 911	90S/3	700 - 1000	75	top	no	1636G / 1637 / 2051	AK 161	9	-	50	2

AE V 60S/2 – order no. 1 251 910
EC/ECE test report no.

Overrun hitch EC: 150.9807
ECE: 361-0126-97

EC/ECE type approval no.

Drawbar installation EC: 00-0225
ECE: E1 55R-01 0225

AE V 90S/3 – order no. 1 251 911
EC/ECE test report no.

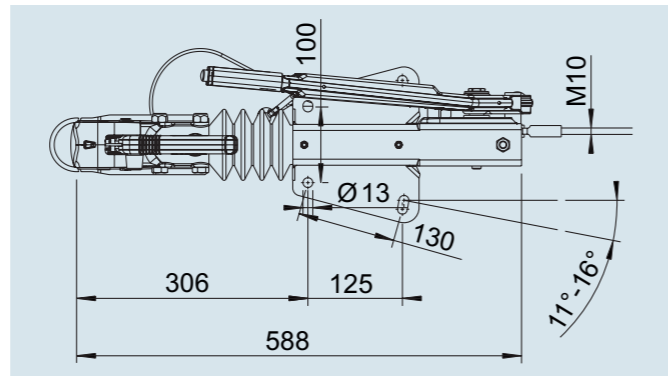
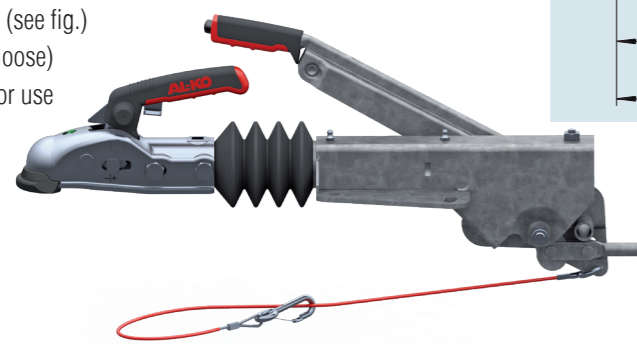
Overrun hitch EC: 150.5535
ECE: 361-033-92

EC/ECE type approval no.

Drawbar installation EC: 00-0226
ECE: E1 55R-01 0226

Scope of supply

- Overrun hitch (see fig.)
- Plug holder (loose)
- Instructions for use (loose)



OVERRUN HITCH V

950 to 1,600 kg

Order overview – available from July 2016

AE V 161S with AK 161 and Soft-Dock											
Order no.	Type	Total weight in kg	Imposed load in kg	Drawbar installation version	Changeover relay lever	Can be combined with AL-KO wheel brake	Hitch mounted				
1 251 914	161 S	950 - 1600	100	bottom	no	1637 / 2051	AK 161	12	-	20	2
1 251 915	161 S	950 - 1600	100	bottom	no	2361	AK 161	12	-	20	2

Scope of supply

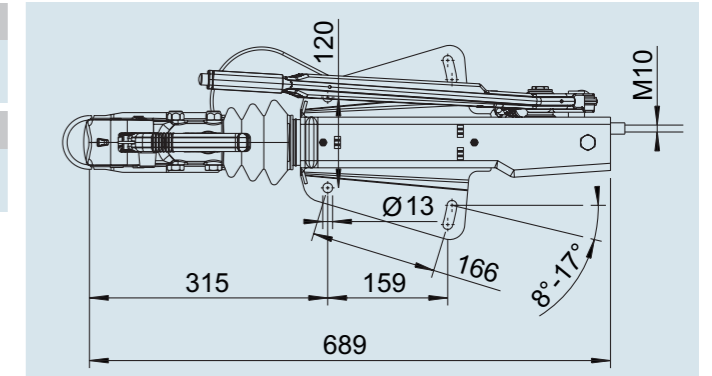
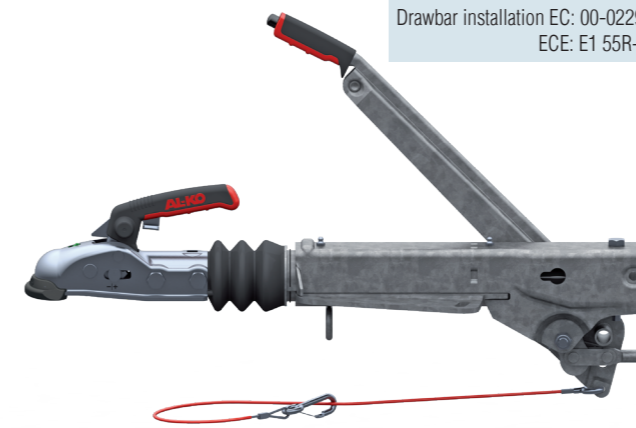
- Overrun hitch (see fig.)
- Plug holder (loose)
- Instructions for use (loose)

EC/ECE test report no.

Overrun hitch EC: 361-284-83
ECE: 361-0047-97

EC/ECE type approval no.

Drawbar installation EC: 00-0229
ECE: E1 55R-01 0229



AE V 161S with AK 161 and Soft-Dock											
Order no.	Type	Total weight in kg	Imposed load in kg	Drawbar installation version	Changeover relay lever	Can be combined with AL-KO wheel brake	Hitch mounted				
1 251 912	161 S	950 - 1600	100	top	no	1637 / 2051	AK 161	12	-	40	2
1 251 913	161 S	950 - 1600	100	top	no	2361	AK 161	12	-	40	2

Scope of supply

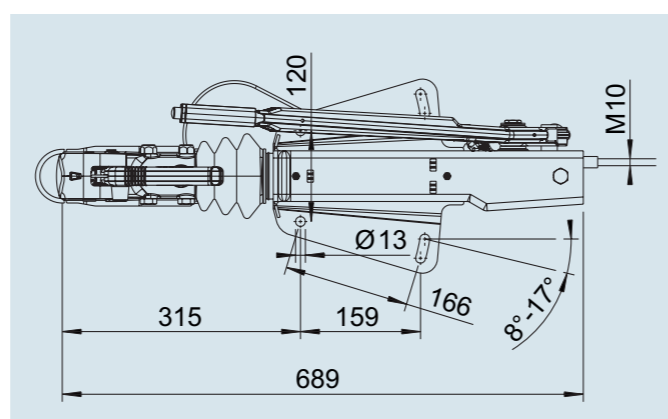
- Overrun hitch (see fig.)
- Plug holder (loose)
- Instructions for use (loose)

EC/ECE test report no.

Overrun hitch EC: 361-284-83
ECE: 361-0047-97

EC/ECE type approval no.

Drawbar installation EC: 00-0229
ECE: E1 55R-01 0229



OVERRUN HITCH V

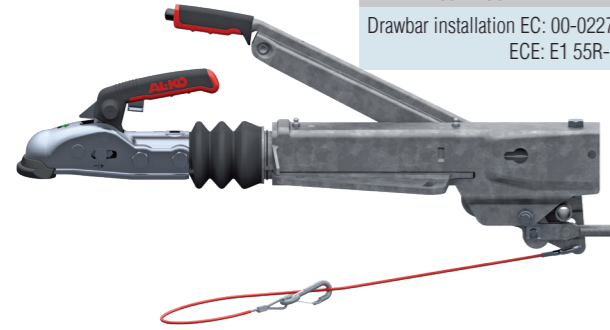
1,500 to 2,700 kg

Order overview – available from July 2016

AE V 251S with AK 270 and Soft-Dock											
Order no.	Type	Total weight in kg	Imposed load in kg	Drawbar installation version	Changeover relay lever	Can be combined with AL-KO wheel brake	Hitch mounted				
1 251 916	251S	1500 - 2700	120	top	yes	1637 / 2051	AK 270	14	-	40	2
1 251 917	251S	1500 - 2700	120	top	yes	2361	AK 270	14	-	40	20
1 251 918	251S	1500 - 2700	120	top	yes	3062 / 3081	AK 270	14	-	40	20

Scope of supply

- Overrun hitch (see fig.)
- Plug holder (loose)
- Instructions for use (loose)

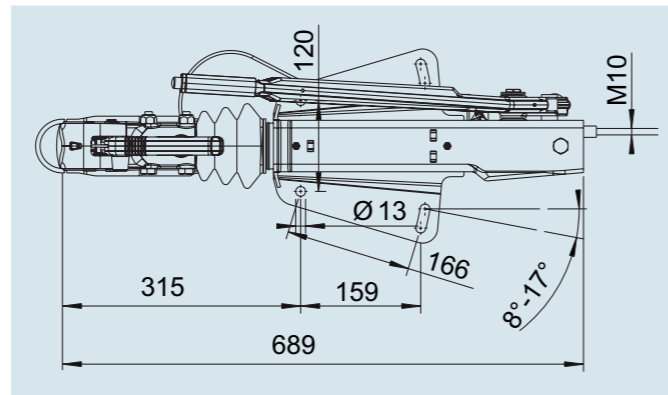


EC/ECE test report no.

Overrun hitch EC: 361-303-83
ECE: 361-0044-97

EC/ECE type approval no.

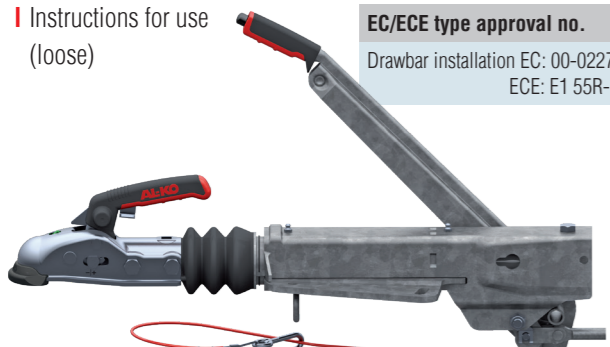
Drawbar installation EC: 00-0227
ECE: E1 55R-01 0227



AE V 251S with AK 270 and Soft-Dock											
Order no.	Type	Total weight in kg	Imposed load in kg	Drawbar installation version	Changeover relay lever	Can be combined with AL-KO wheel brake	Hitch mounted				
1 251 919	251S	1500 - 2700	120	bottom	yes	1637 / 2051	AK 270	14	-	40	2
1 251 920	251S	1500 - 2700	120	bottom	yes	2361	AK 270	14	-	40	20
1 251 921	251S	1500 - 2700	120	bottom	yes	3062 / 3081	AK 270	14	-	40	20

Scope of supply

- Overrun hitch (see fig.)
- Plug holder (loose)
- Instructions for use (loose)

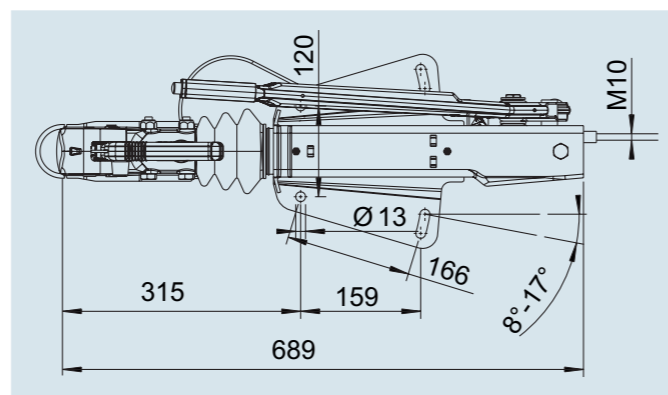


EC/ECE test report no.

Overrun hitch EC: 361-303-83
ECE: 361-0044-97

EC/ECE type approval no.

Drawbar installation EC: 00-0227
ECE: E1 55R-01 0227



OVERRUN HITCH V

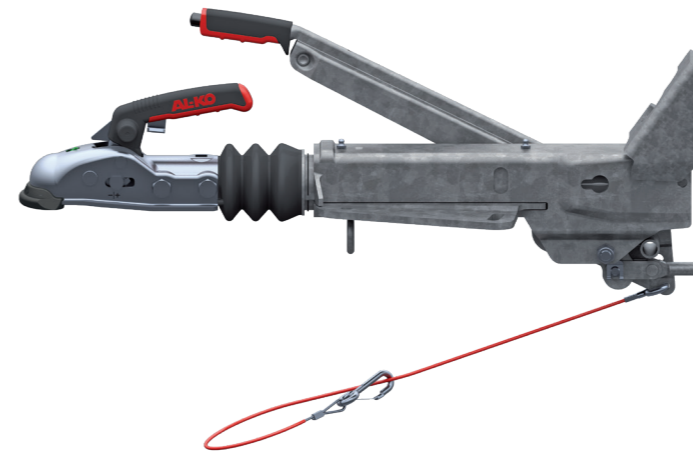
with elevated centre flange welded on 1,500 to 2,700 kg

Order overview – available from July 2016

AE V 251S with AK 270 and Soft-Dock, 1,500 – 2,700 kg											
Order no.	Type	Total weight in kg	Imposed load in kg	Drawbar installation version	Changeover relay lever	Can be combined with AL-KO wheel brake	Hitch mounted				
1 251 922	251S	1500 - 2700	100	top	yes	1637 / 2051	AK 270	18	-	35	2
1 251 923	251S	1500 - 2700	100	bottom	yes	1637 / 2051	AK 270	18	-	35	20
1 251 924	251S	1500 - 2700	100	top	yes	2361	AK 270	18	-	35	20
1 251 925	251S	1500 - 2700	100	bottom	yes	2361	AK 270	18	-	35	20
1 251 926	251S	1500 - 2700	100	top	yes	3062 / 3081	AK 270	18	-	35	20
1 251 927	251S	1500 - 2700	100	bottom	yes	3062 / 3081	AK 270	18	-	35	20

Scope of supply

- Overrun hitch (see fig.)
- Plug holder (loose)
- Instructions for use (loose)

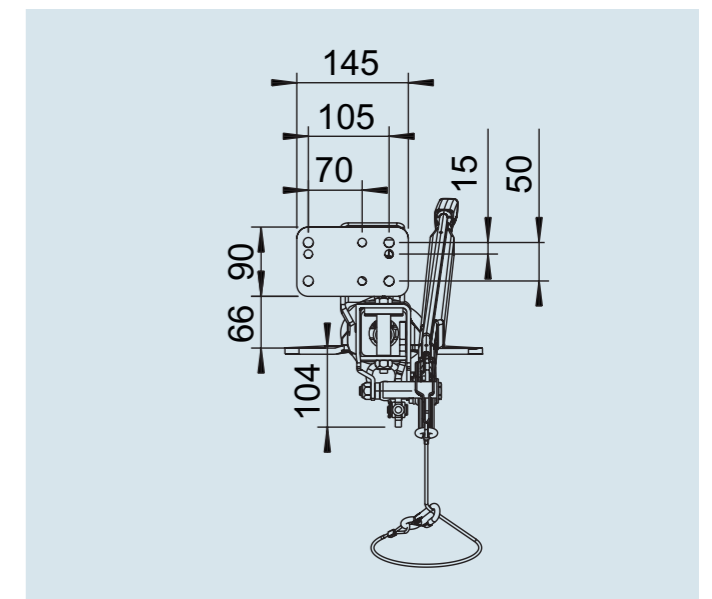
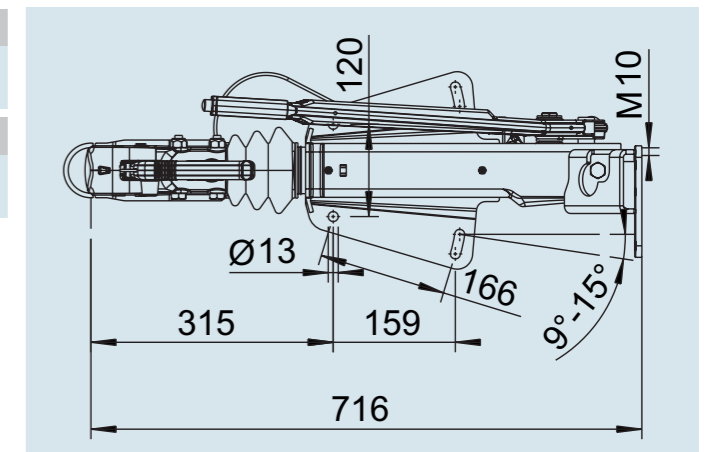


EC/ECE test report no.

Overrun hitch EC: 361-303-83
ECE: 361-0044-97

EC/ECE type approval no.

Drawbar installation EC: 00-0227
ECE: E1 55R-01 0227



AL-KO

QUALITY FOR LIFE

AL-KO KOBER LTD

South Warwickshire Business Park,
Kineton Road, Southam,
Warwickshire CV47 0AL
Tel. 01926 818500
mail.uk@alko-tech.com
www.alko-tech.com/uk

AL-KO KOBER IRELAND

Unit 15 Block B,
Blyry Business & Commercial Park
Athlone, Co. Westmeath. Ireland
Tel. 00353 9064 86849
athlone@alko-tech.com
www.alko-tech.com/uk



Visit AL-KO at
facebook.com/alko.uk

Order no. 499 511UK – Subject to changes in response to technical progress.
No liability accepted for mistakes and printing errors. Version 06/2019