

CHASSIS FOR TINY HOUSES

THE FOUNDATION FOR YOUR MOBILE HOME



CHASSIS FOR TINY HOUSES

The foundation for your mobile home

Mobile. Flexible. Modular.

As living concepts change, new living ideas are needed. We offer the stable foundation for life on wheels. Intelligent manufacturing concepts and decades of experience in the production of high-quality chassis components for trailers guarantee particularly good quality and durability.

MODULAR FRAME CONCEPT

The modular frame design allows different body lengths and customised configurations.

PATENTED CONNECTION

The positive-locking connection points ensure perfect connections to the chassis. In the area of the body's contact surfaces, round head screws are used so that only a small interference contour is created.



HEAVY DUTY SUPPORTS

The chassis is equipped with precisely adapted supports. Other AL-KO support systems can be optionally used at the prepared mounting points.

AL-KO High-loader chassis 3.5 t (2-axle)



LONG SERVICE LIFE

The hot-dip galvanised chassis components provide reliable corrosion protection.

TESTED MULTIPLE TIMES

AL-KO chassis undergo a multi-stage testing process in our testing department. This involves chassis tests on cobblestones, mended asphalt roads and pothole stretches. The test length corresponds to 100,000 km of central European roads.



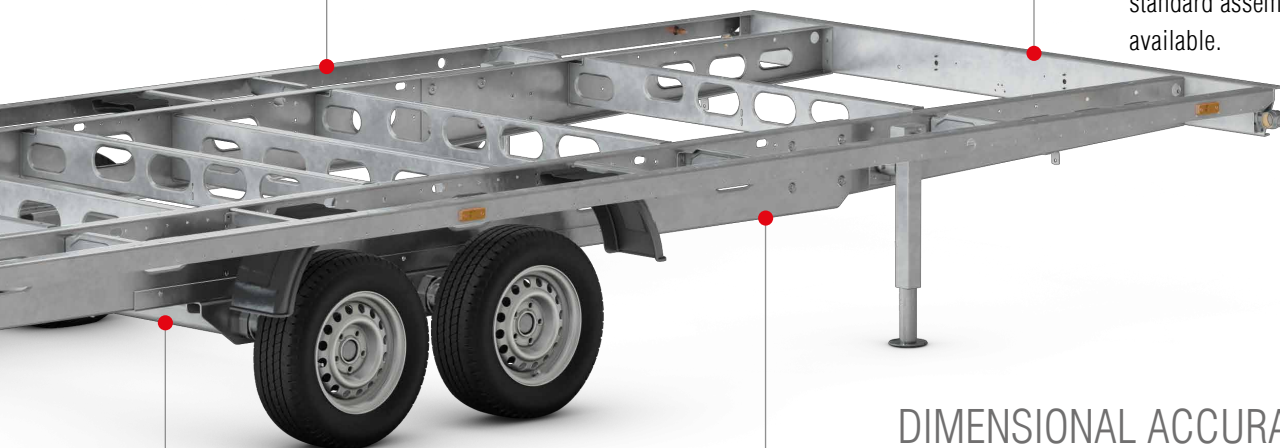
PRE-TENSIONED FRAME

Less twisting and less or no warping

COC

Certificate of conformity

EU certificate of conformity for standard assembled chassis is available.



DIMENSIONAL ACCURACY

Thanks to the high dimensional accuracy of the chassis and the specified hole pattern in the frame parts, the body can be prefabricated and assembled for an exact fit.

MOVABLE AXLE MODULE

For subsequent adjustment of the nose load at the hitching point, our high-loaders' axle module is designed to be movable and can be moved in a 40 mm grid.



INTEGRATED LIGHTING

Lighting is already integrated in our chassis.

TECHNICAL DATA & VARIANTS

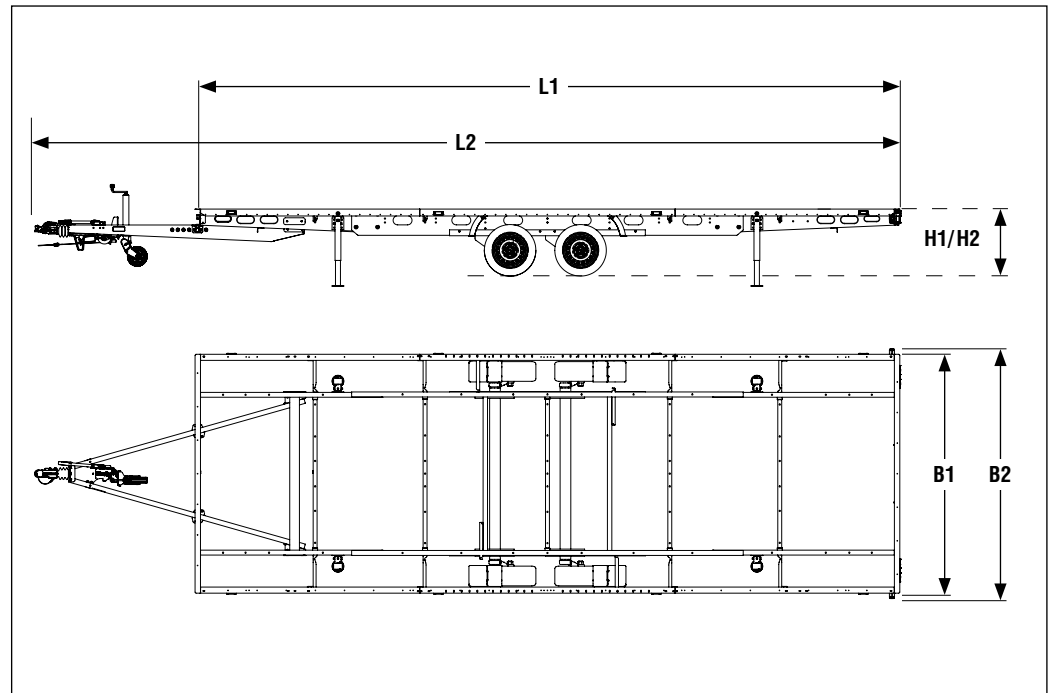
2-axle high-loader chassis

Scope of supply:

- | Heavy-duty supports
- | Loose crank
- | Mudguards
- | Lighting
- | Fully automatic jockey wheel
- | Tyres: 195/50 R13C
- | Overrun device Profi V
- | Coupling head
- | Wheel chocks

Delivery condition:

- | completely assembled
- | incl. CoC papers for standard chassis (see table)



Moveable axis unit: **2-axle** front approx. 220 mm/rear approx. 580 mm

AL-KO High-loader chassis 3.5 t (2-axle)

Material number	L1 Loading length [mm]	L2 Total length [mm]	B1 Loading width [mm]	B2 Total width [mm]	H1 Loading height Upper edge of the frame unloaded approx. [mm]	H2 Loading height Upper edge of the frame loaded approx. [mm]	Payload approx. [kg]	Weight chassis compl. approx. [kg]	Axes
1707375	5,400	7,008	2,440	2,550	684	634	2,885	615	2
1707376	6,000	7,608	2,440	2,550	684	634	2,845	655	2
1707377	6,600	8,208	2,440	2,550	684	634	2,825	675	2
1707378	7,200	8,808	2,440	2,550	684	634	2,815	685	2
1707379	7,800	9,408	2,440	2,550	684	634	2,780	720	2
1707713	8,400	10,008	2,440	2,550	684	634	2,765	735	2

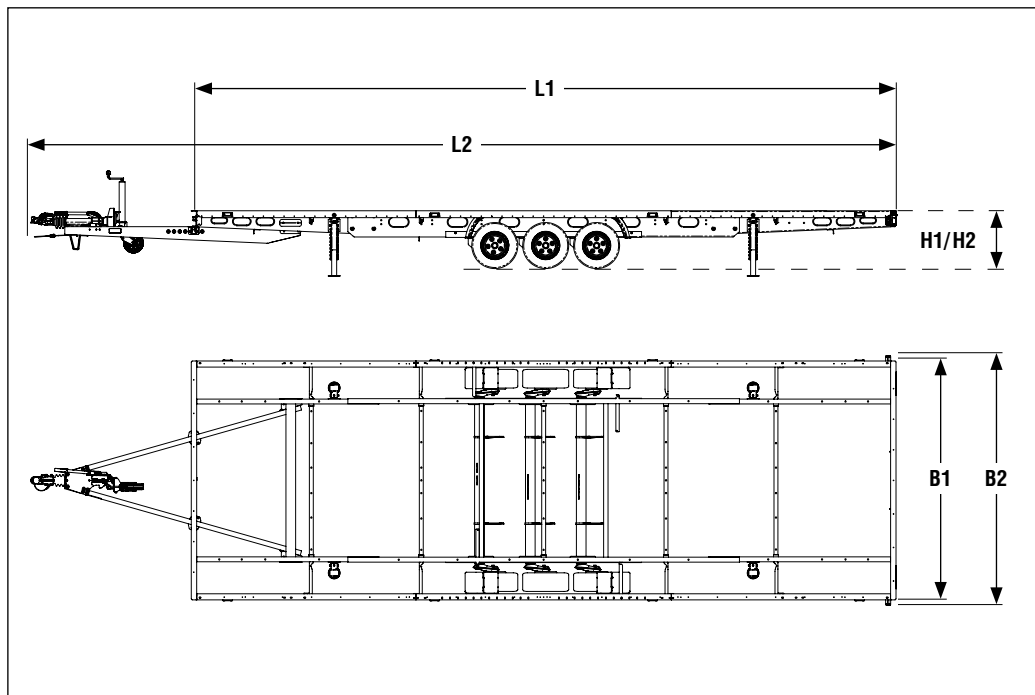
3-axle high-loader chassis

Scope of supply:

- | Heavy-duty supports
- | Loose crank
- | Mud guards
- | Lighting
- | Fully automatic jockey wheel
- | Tyres: 195/55 R10C
- | Overrun device Profi V
- | Coupling head
- | Wheel chocks

Delivery condition:

- | completely assembled
- | incl. CoC papers for standard chassis (see table)



Moveable axis unit: **3-axle** front approx. 200 mm/rear approx. 440 mm

AL-KO High-loader chassis 3.5 t (3-axle)

Material number	L1 Loading length [mm]	L2 Total length [mm]	B1 Loading width [mm]	B2 Total width [mm]	H1 Loading height Upper edge of the frame unloaded approx. [mm]	H2 Loading height Upper edge of the frame loaded approx. [mm]	Payload approx. [kg]	Weight chassis compl. approx. [kg]	Axes
1707380	5,400	7,012	2,440	2,550	590	540	2,825	675	3
1707381	6,000	7,612	2,440	2,550	590	540	2,815	685	3
1707382	6,600	8,212	2,440	2,550	590	540	2,795	705	3
1707383	7,200	8,812	2,440	2,550	590	540	2,780	720	3
1707384	7,800	9,412	2,440	2,550	590	540	2,760	740	3
1707714	8,400	10,012	2,440	2,550	590	540	2,740	760	3

TECHNICAL DATA & VARIANTS

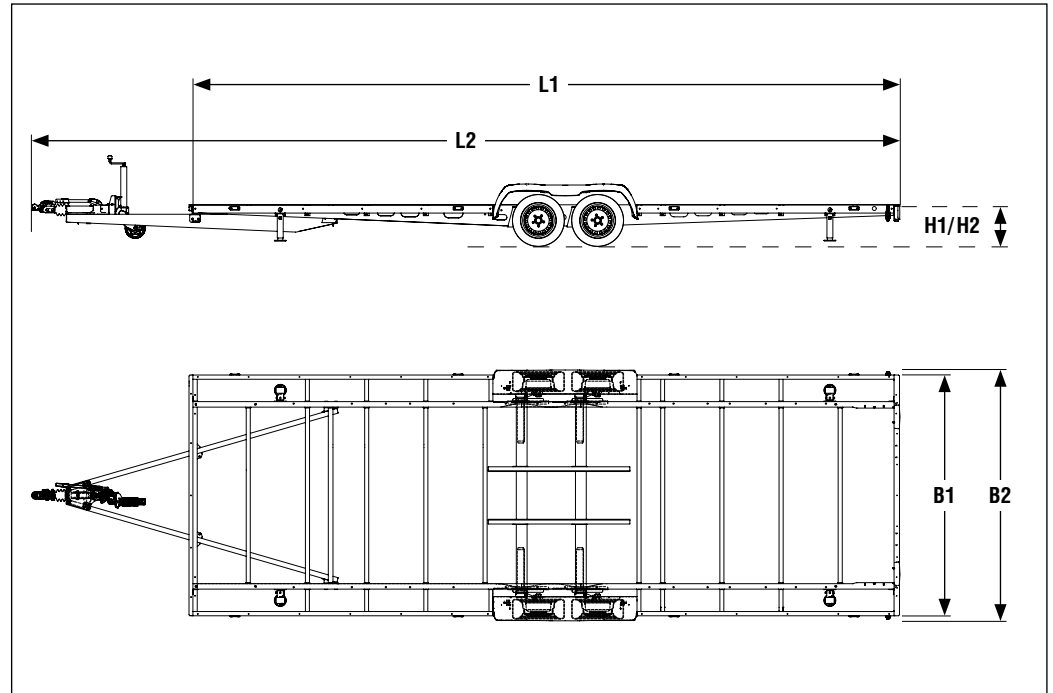
2-axle low-loader chassis

Scope of supply:

- | Heavy-duty supports
- | Loose crank
- | Mudguards
- | Lighting
- | Fully automatic jockey wheel
- | Tyres: 195/50 R13C
- | Overrun device Profi V
- | Coupling head
- | Wheel chocks

Delivery condition:

- | completely assembled
- | incl. CoC papers for standard chassis (see table)



AL-KO Low-loader chassis 3.5 t

Material number	L1 Loading length [mm]	L2 Total length [mm]	B1 Loading width [mm]	B2 Total width [mm]	H1 Loading height Upper edge of the frame unloaded approx. [mm]	H2 Loading height Upper edge of the frame loaded approx. [mm]	Payload approx. [kg]	Weight chassis compl. approx. [kg]	Axles
1707539	5,400	6,952	2,440	2,550	471	421	2,905	595	2
1707540	6,000	7,552	2,440	2,550	471	421	2,885	615	2
1707450	6,600	8,152	2,440	2,550	471	421	2,865	635	2
1707533	7,200	8,752	2,440	2,550	471	421	2,845	655	2
1707541	7,800	9,352	2,440	2,550	471	421	2,825	675	2
1708106	8,400	9,952	2,440	2,550	471	421	2,805	695	2

AL-KO VEHICLE TECHNOLOGY GROUP

QUALITY FOR LIFE



ABOUT THE AL-KO VEHICLE TECHNOLOGY GROUP

The AL-KO Vehicle Technology Group is a globally active technology group and a business unit of DexKo Global. With high-quality chassis and suspension components for trailers, leisure and commercial vehicles, as well as construction and agricultural vehicles, the group represents the best in functionality, maximum comfort as well as innovations to ensure greater driving safety.

Founded in 1931 the group today has around 3,800 employees and more than 40 locations worldwide.

Better together: AL-KO Vehicle Technology Group is part of DexKo Global, one of the world's quality leaders in trailer axles and chassis components and related product groups.

Member of **DEXKO**
GLOBAL

AL-KO

QUALITY FOR LIFE

Member of **DEXKO**
GLOBAL

ALOIS KOBER GMBH

lchenhauser Str. 14

89359 Kötz

Germany

+49 8221 97-0

info@alko-tech.com

www.alko-tech.com

AL-KO TECHNOLOGY PADERBORN GMBH

Pater-Ewald-Straße 29

33104 Paderborn

Germany

+49 5254 803-0

info15@alko-tech.com

www.alko-tech.com

Part No. 499811 A – Subject to changes in line with technical progress.
No liability accepted for mistakes and printing errors. Issue 05/2022